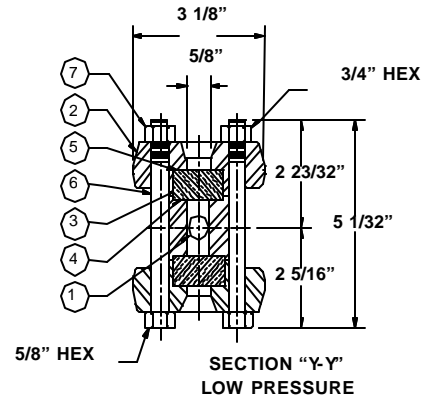
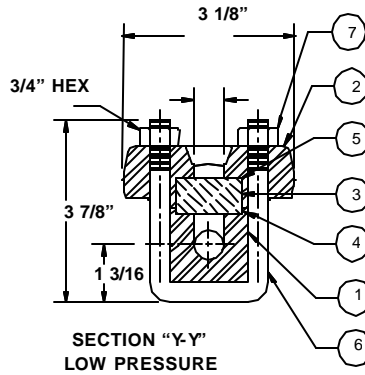
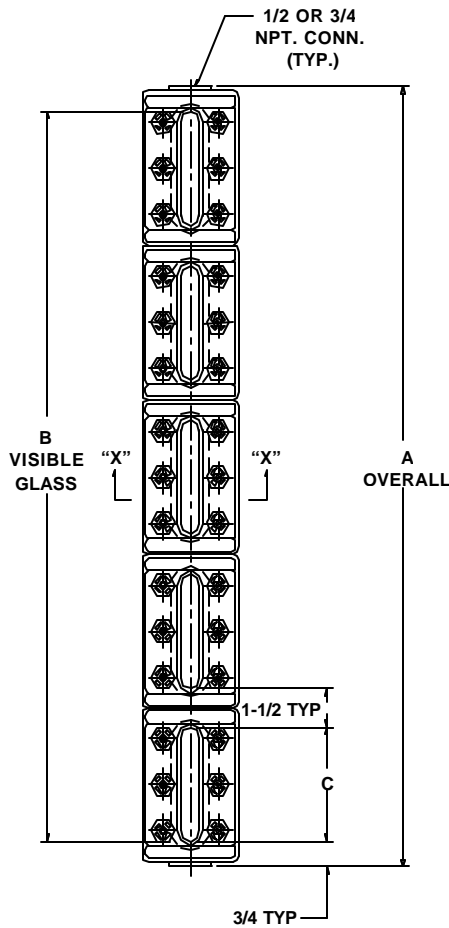


REFLEX PRESSURE RATINGS AT °F						
LOW PRESSURE GAGE						
Glass Size	100°	200°	300°	400°	500°	600°
1	2400	2320	2240	2150	2000	1780
2	2325	2250	2170	2090	1940	1720
3	2250	2180	2100	2020	1880	1670
4	2175	2100	2020	1940	1820	1600
5	2100	2030	1960	1880	1750	1550
6	2025	1950	1890	1810	1680	1500
7	1950	1890	1820	1750	1630	1440
8	1875	1820	1750	1680	1560	1390
9	1800	1740	1680	1620	1510	1340

TRANSPARENT PRESSURE RATINGS AT °F						
LOW PRESSURE GAGE						
Glass Size	100°	200°	300°	400°	500°	600°
1	2000	1935	1870	1790	1660	1480
2	1815	1750	1690	1620	1510	1340
3	1630	1580	1520	1460	1360	1210
4	1440	1390	1340	1290	1200	1060
5	1250	1210	1170	1120	1040	920
6	1065	1030	995	950	890	790
7	875	845	815	785	730	645
8	690	665	645	620	575	510
9	500	480	465	445	415	370



ITEM NO.	NAME	CARBON STEEL	STAINLESS STEEL WETTED
1	CHAMBER	CARBON STEEL	316L SS
2	COVER	CARBON STEEL	CARBON STEEL
3	GLASS	TEMPERED	TEMPERED
8	SHIELD	AS REQUIRED	AS REQUIRED
4	GASKET	NON-ASBESTOS	NON-ASBESTOS
5	CUSHION	NON-ASBESTOS	NON-ASBESTOS
6	BOLT	ASTM A193 B7	ASTM A193 B7
7	NUT	ASTM A194 2H	ASTM A194 2H

SIZE NO.	NUMBER OF SECTIONS					NUMBER OF SECTIONS					DIM "C" IN INCHES
	DIMENSION "A" IN INCHES					DIMENSION "B" IN INCHES					
	1	2	3	4	5	1	2	3	4	5	
1	5 1/4					3 3/4					3 3/4
2	6 1/4					4 3/4					4 3/4
3	7 1/4	14 1/2				5 3/4	13				5 3/4
4	8 1/4	16 1/2				6 3/4	15				6 3/4
5	9 3/8	18 3/4				7 7/8	17 1/4				7 7/8
6	10 5/8	21 1/4	31 7/8			9 1/8	19 3/4	30 3/8			9 1/8
7	11 3/4	23 1/2	35 1/4	47	58 3/4	10 1/4	22	33 3/4	45 1/2	57 1/4	10 1/4
8	13 3/8	26 3/4	40 1/8	53 1/2	66 7/8	11 7/8	25 1/4	38 5/8	52	65 3/8	11 7/8
9	14 1/8	28 1/4	42 3/8	56 1/2	70 5/8	12 5/8	26 3/4	40 7/8	55	69 1/8	12 5/8

Customer \_\_\_\_\_  
 Cust. P. O. #: \_\_\_\_\_  
 Factory #: \_\_\_\_\_  
 Rep P.O. #: \_\_\_\_\_  
 Assembled \_\_\_\_\_ "Centers"  
 Tag #'s: \_\_\_\_\_

**LEVEL GAGE 120-01**  
**SERIES "L"**  
**REFLEX & TRANSPARENT**  
**STANDARD - 1/2" OR 3/4" NPT CONN**



P.O. Box 2127 • Stafford, Texas 77497-2127  
 (281) 240-0440 • Fax: (281) 240-2440

Scale: \_\_\_\_\_ **Date:** \_\_\_\_\_  
 Drawing #: \_\_\_\_\_  
 Revision #: \_\_\_\_\_  
 Drawn By: **DMC**  
 Ck'd By: \_\_\_\_\_  
 Certified By: \_\_\_\_\_  
 Model #: \_\_\_\_\_