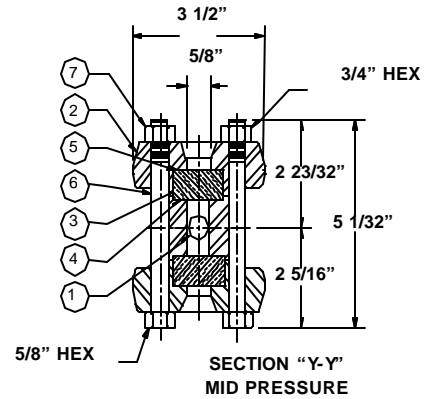
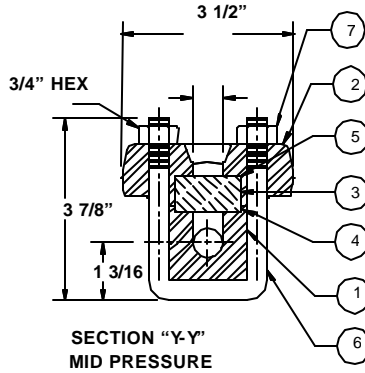
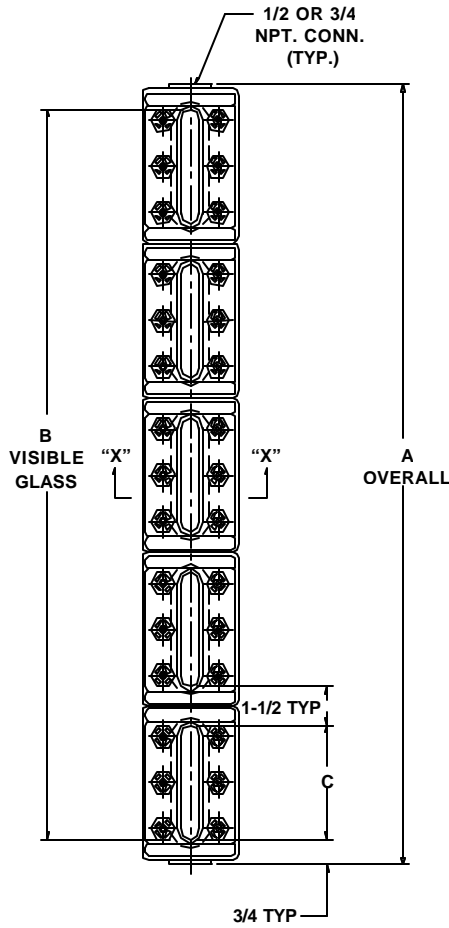


REFLEX PRESSURE RATINGS AT ° F						
MID PRESSURE GAGE						
Glass Size	100°	200°	300°	400°	500°	600°
1	3000	2900	2800	2690	2500	2220
2	2910	2820	2720	2600	2420	2150
3	2820	2720	2625	2530	2350	2080
4	2725	2640	2560	2460	2270	2040
5	2630	2540	2460	2360	2190	1950
6	2535	2450	2360	2270	2110	1875
7	2440	2360	2280	2190	2030	1805
8	2345	2270	2190	2110	1960	1740
9	2250	2180	2100	2020	1880	1670

TRANSPARENT PRESSURE RATINGS AT ° F						
MID PRESSURE GAGE						
Glass Size	100°	200°	300°	400°	500°	600°
1	2500	2420	2340	2240	2080	1850
2	2315	2250	2170	2090	1940	1720
3	2130	2060	1990	1910	1770	1575
4	1940	1875	1810	1740	1620	1435
5	1750	1690	1630	1570	1460	1295
6	1565	1510	1460	1400	1305	1160
7	1375	1330	1280	1230	1145	1015
8	1190	1150	1110	1065	990	880
9	1000	970	935	895	835	740



ITEM NO.	NAME	CARBON STEEL	STAINLESS STEEL WETTED
1	CHAMBER	CARBON STEEL	316L SS
2	COVER	CARBON STEEL	CARBON STEEL
3	GLASS	TEMPERED	TEMPERED
8	SHIELD	AS REQUIRED	AS REQUIRED
4	GASKET	NON-ASBESTOS	NON-ASBESTOS
5	CUSHION	NON-ASBESTOS	NON-ASBESTOS
6	BOLT	ASTM A193 B7	ASTM A193 B7
7	NUT	ASTM A194 2H	ASTM A194 2H

SIZE NO.	NUMBER OF SECTIONS					NUMBER OF SECTIONS					DIM "C" IN INCHES
	DIMENSION "A" IN INCHES					DIMENSION "B" IN INCHES					
	1	2	3	4	5	1	2	3	4	5	
1	5 1/4					3 3/4					3 3/4
2	6 1/4					4 3/4					4 3/4
3	7 1/4	14 1/2				5 3/4	13				5 3/4
4	8 1/4	16 1/2				6 3/4	15				6 3/4
5	9 3/8	18 3/4				7 7/8	17 1/4				7 7/8
6	10 5/8	21 1/4	31 7/8			9 1/8	19 3/4	30 3/8			9 1/8
7	11 3/4	23 1/2	35 1/4	47	58 3/4	10 1/4	22	33 3/4	45 1/2	57 1/4	10 1/4
8	13 3/8	26 3/4	40 1/8	53 1/2	66 7/8	11 7/8	25 1/4	38 5/8	52	65 3/8	11 7/8
9	14 1/8	28 1/4	42 3/8	56 1/2	70 5/6	12 5/8	26 3/4	40 7/8	55	69 1/8	12 5/8

Customer _____
 Cust. P. O. #: _____
 Factory #: _____
 Rep P.O. #: _____
 Assembled _____ "Centers"
 Tag #'s: _____

LEVEL GAGE 120-02
SERIES "M"
REFLEX & TRANSPARENT
STANDARD - 1/2" OR 3/4" NPT CONN



P.O. Box 2127 • Stafford, Texas 77497-2127
 (281) 240-0440 • Fax: (281) 240-2440

Scale: _____ **Date:** _____
 Drawing #: _____
 Revision #: _____
 Drawn By: **DMC**
 Ck'd By: _____
 Certified By: _____
 Model #: _____