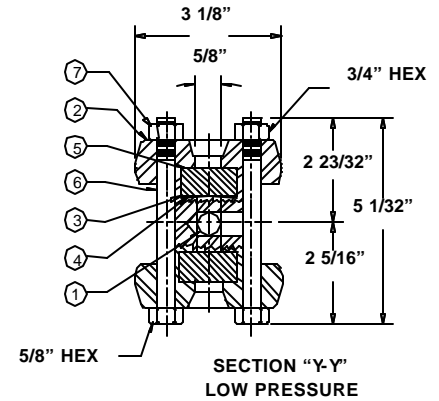
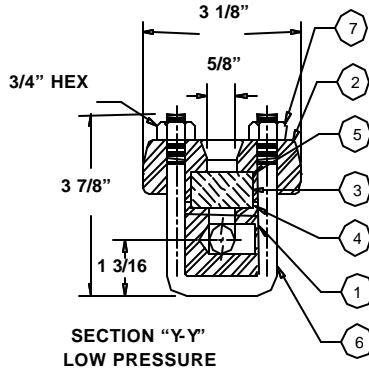
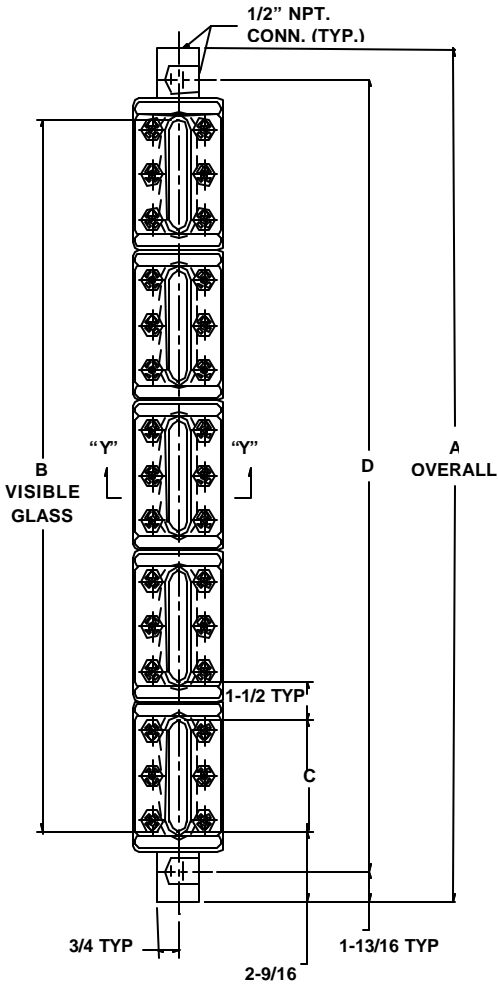


REFLEX PRESSURE RATINGS AT °F						
LOW PRESSURE GAGE						
Glass Size	100°	200°	300°	400°	500°	600°
1	2400	2320	2240	2150	2000	1780
2	2325	2250	2170	2090	1940	1720
3	2250	2180	2100	2020	1880	1670
4	2175	2100	2020	1940	1820	1600
5	2100	2030	1960	1880	1750	1550
6	2025	1950	1890	1810	1680	1500
7	1950	1890	1820	1750	1630	1440
8	1875	1820	1750	1680	1560	1390
9	1800	1740	1680	1620	1510	1340

TRANSPARENT PRESSURE RATINGS AT °F						
LOW PRESSURE GAGE						
Glass Size	100°	200°	300°	400°	500°	600°
1	2000	1935	1870	1790	1660	1480
2	1815	1750	1690	1620	1510	1340
3	1630	1580	1520	1460	1360	1210
4	1440	1390	1340	1290	1200	1060
5	1250	1210	1170	1120	1040	920
6	1065	1030	995	950	890	790
7	875	845	815	785	730	645
8	690	665	645	620	575	510
9	500	480	465	445	415	370



ITEM NO.	NAME	CARBON STEEL	STAINLESS STEEL WETTED
1	CHAMBER	CARBON STEEL	316L SS
2	COVER	CARBON STEEL	CARBON STEEL
3	GLASS	TEMPERED	TEMPERED
8	SHIELD	AS REQUIRED	AS REQUIRED
4	GASKET	NON-ASBESTOS	NON-ASBESTOS
5	CUSHION	NON-ASBESTOS	NON-ASBESTOS
6	BOLT	ASTM A193 B7	ASTM A193 B7
7	NUT	ASTM A194 2H	ASTM A194 2H

SIZE NO.	NUMBER OF SECTIONS DIMENSION "A" IN INCHES					NUMBER OF SECTIONS DIMENSION "B" IN INCHES					DIM "C" IN INCHES	NUMBER OF SECTIONS DIMENSION "D" IN INCHES				
	1	2	3	4	5	1	2	3	4	5		1	2	3	4	5
1	8 7/8					3 3/4					3 3/4	5 1/4				
2	9 7/8					4 3/4					4 3/4	6 1/4				
3	10 7/8	18 1/8				5 3/4	13				5 3/4	7 1/4	14 1/2			
4	11 7/8	20 1/8				6 3/4	15				6 3/4	8 1/4	16 1/2			
5	13	22 3/8				7 7/8	17 1/4				7 7/8	9 3/8	18 3/4			
6	14 1/4	24 7/8	35 1/2			9 1/8	19 3/4	30 3/8			9 1/8	10 5/8	21 1/4	31 7/8		
7	15 3/8	27 1/4	38 7/8	50 5/8	62 3/8	10 1/4	22	33 3/4	45 1/2	57 1/4	10 1/4	11 3/4	23 1/2	35 1/4	47	58 3/4
8	17	30 3/8	43 3/4	57 1/8	70 1/2	11 7/8	25 1/4	38 5/8	52	65 3/8	11 7/8	13 3/8	26 3/4	40 1/8	53 1/2	66 7/8
9	17 3/4	31 7/8	46	60 1/8	74 1/4	12 5/8	26 3/4	40 7/8	55	69 1/8	12 5/8	14 1/8	28 1/4	42 3/8	56 1/2	70 5/8

Customer _____
 Cust. P. O. #: _____
 Factory #: _____
 Rep P.O. #: _____
 Assembled _____ "Centers"
 Tag #'s: _____

LEVEL GAGE 120-11
SERIES "L"
REFLEX & TRANSPARENT
CLOSE HOOKUP - 1/2" NPT CONN



P.O. Box 2127 • Stafford, Texas 77497-2127
 (281) 240-0440 • Fax: (281) 240-2440

Scale: _____ **Date:** _____
 Drawing #: _____
 Revision #: _____
 Drawn By: **DMC**
 Ck'd By: _____
 Certified By: _____
 Model #: _____