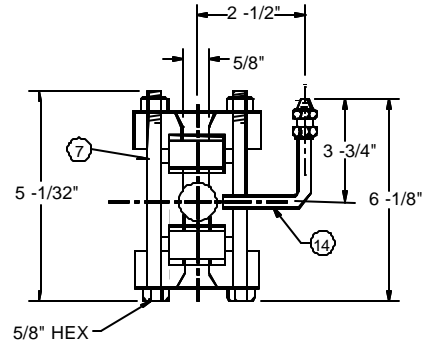
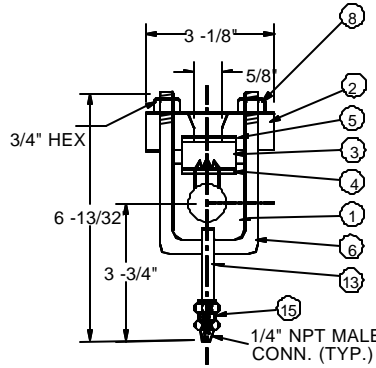
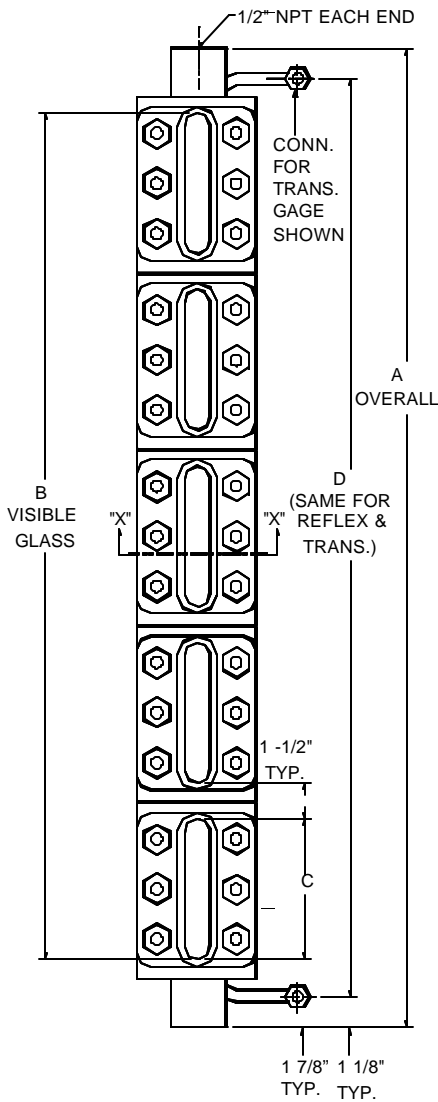


LOW PRESSURE GAGE				
	REFLEX MAX. PSIG @ TEMP.*		TRANSPARENT MAX. PSIG @ TEMP.*	
Glass Size	100°	600°	100°	600°
1	2400	1780	2000	1480
2	2325	1720	1815	1340
3	2250	1670	1630	1210
4	2175	1600	1440	1060
5	2100	1550	1250	920
6	2025	1500	1065	790
7	1950	1440	875	645
8	1875	1390	690	510
9	1800	1340	500	370



ITEM NO.	NAME	CARBON STEEL	STAINLESS STEEL WETTED
1	CHAMBER	CARBON STEEL	316L SS
2	COVER	CARBON STEEL	CARBON STEEL
3	GLASS	TEMPERED	TEMPERED
16	SHIELD	AS REQUIRED	AS REQUIRED
4	GASKET	NON-ASBESTOS	NON-ASBESTOS
5	CUSHION	NON-ASBESTOS	NON-ASBESTOS
6	U-BOLT	ASTM A 193 B7	ASTM A193 B7
7	BOLT	ASTM A 193 B7	ASTM A193 B7
8	NUT	ASTM A 194 2H	ASTM A194 2H
13	TUBING	COPPER	COPPER
14	TUBING	COPPER	COPPER
15	FITTING	STEEL	STEEL

SIZE NO.	NUMBER OF SECTIONS					NUMBER OF SECTIONS					DIM "C" IN INCHES	NUMBER OF SECTIONS				
	DIMENSION "A" IN INCHES					DIMENSION "B" IN INCHES						DIMENSION "D" IN INCHES				
	1	2	3	4	5	1	2	3	4	5		1	2	3	4	5
1	7 1/2					3 3/4					3 3/4	5 1/4				
2	8 1/2					4 3/4					4 3/4	6 1/4				
3	9 1/2	16 3/4				5 3/4	13				5 3/4	7 1/4	14 1/2			
4	10 1/2	18 3/4				6 3/4	15				6 3/4	8 1/4	16 1/2			
5	11 5/8	21				7 7/8	17 1/4				7 7/8	9 3/8	18 3/4			
6	12 7/8	23 1/2	34 1/8			9 1/8	19 3/4	30 3/8			9 1/8	10 5/8	21 1/4	31 7/8		
7	14	25 3/4	37 1/2	49 1/4	61	10 1/4	22	33 3/4	45 1/2	57 1/4	10 1/4	11 3/4	23 1/2	35 1/4	47	58 3/4
8	15 5/8	29	42 3/8	55 3/4	69 1/8	11 7/8	25 1/4	38 5/8	52	65 3/8	11 7/8	13 3/8	26 3/4	40 1/8	53 1/2	66 7/8
9	16 3/8	30 1/2	44 5/8	58 3/4	72 7/8	12 5/8	26 3/4	40 7/8	55	69 1/8	12 5/8	14 1/8	28 1/4	42 3/8	56 1/2	70 5/8

Customer _____
 Cust. P. O. #: _____
 Factory #: _____
 Rep P.O. #: _____
 Assembled _____ "Centers"
 Tag #'s: _____

**HEATED COOLED 120-31
 SERIES HC
 LOW PRESSURE
 1/2" OR 3/4" NPT CONN**



P.O. Box 2127 • Stafford, Texas 77497-2127
 (281) 240-0440 • Fax: (281) 240-2440

Scale: _____ **Date:** _____
 Drawing #: _____
 Revision #: _____
 Drawn By: **DMC**
 Ck'd By: _____
 Certified By: _____
 Model #: _____