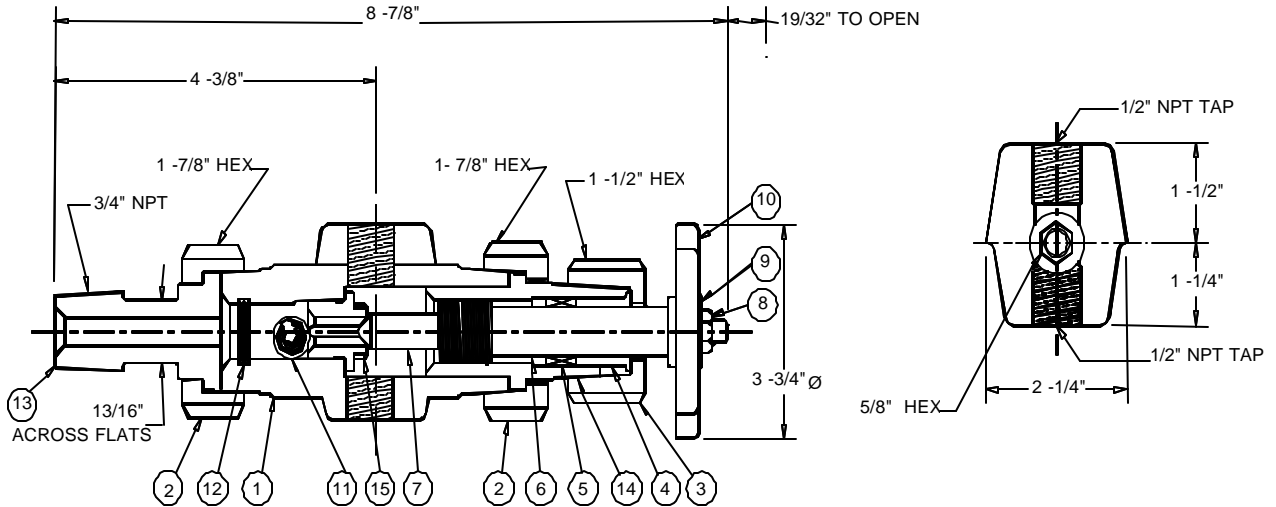


ITEM NO.	NAME	STANDARD	316 S.S. WETTED PARTS
		MATERIAL	MATERIAL
1	BODY	CARBON STEEL	316 S.S.
2	UNION NUT	CARBON STEEL	CARBON STEEL
3	PACKING NUT	CARBON STEEL	CARBON STEEL
4	PACKING FOLLOWER	316 S.S.	316 S.S.
5	PACKING RING	TEFLON	TEFLON
6	PACKING WASHER	17-4 PH S.S.	17-4 PH S.S.
7	STEM	416 S.S.	316 S.S.
8	STEM NUT	CARBON STEEL	CARBON STEEL
9	NAME PLATE	304 S.S.	304 S.S.
10	HAND WHEEL	ALLOY ZINC	ALLOY ZINC

ITEM NO.	NAME	STANDARD	316 S.S. WETTED PARTS
		MATERIAL	MATERIAL
11	BALL	440 S.S.	316 S.S.
12	BALL RETAINER	316 S.S.	316 S.S.
13	MALE CONNECTOR	CARBON STEEL	316 S.S.
14	BONNET	1018CD-SR	316 S.S.
15	SEAT	416 S.S.	316 S.S.
17	FEAMALE CONNECTOR	CARBON STEEL	316 S.S.

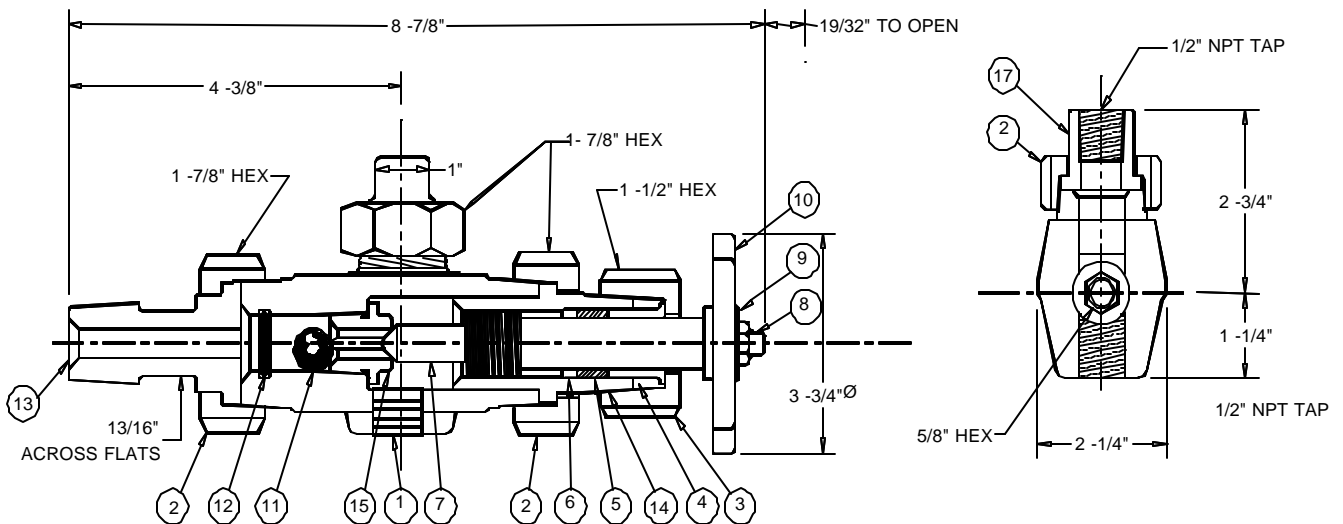
### TYPE 4S

Weight per set is approximately 12 lbs.



### TYPE 4U

Weight per set is approximately 12 lbs.



Customer \_\_\_\_\_  
 Cust. P. O. #: \_\_\_\_\_  
 Factory #: \_\_\_\_\_  
 Rep P.O. #: \_\_\_\_\_  
 Assembled \_\_\_\_\_ "Centers"  
 Tag #'s: \_\_\_\_\_

**4S & 4U 120-54**  
**UNION TANK CONNECTION**



P.O. Box 2127 • Stafford, Texas 77497-2127  
 (281) 240-0440 • Fax: (281) 240-2440

Scale:		<b>Date:</b>
Drawing #:		
Revision #		
Drawn By:	<b>DMC</b>	
Ck'd By:		
Certified By:		
Model #:		