

Bill of Materials

	Part	Material
1	Chamber	
2	End Caps	
3	Nozzle	
4	Flange	
5	Probe	

Notes

Dimensions (inches)

A	First Probe:
B	Visible Range:
C	Conn. Centers:
D	Overall Length:
E	Gage Conn. Centers:
F	Gage Visible:
G	Start Visible:

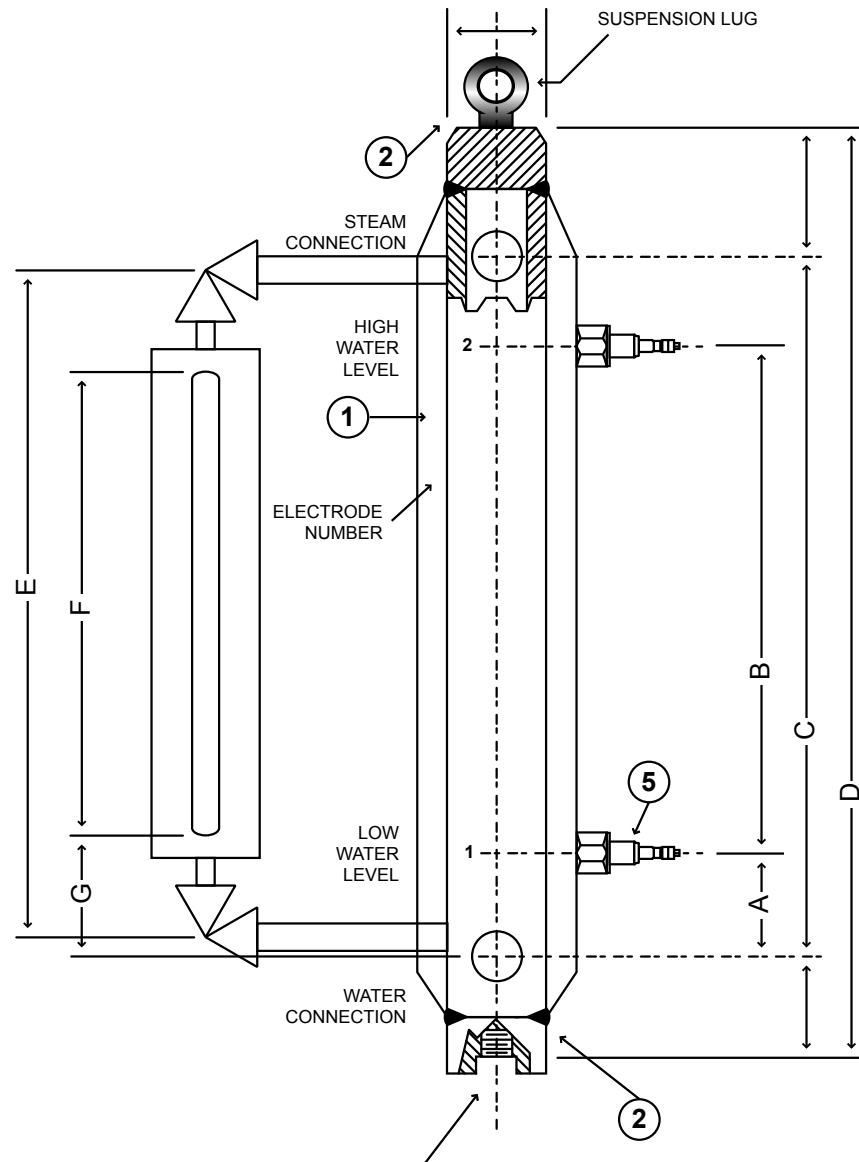
**Level-Trac Model 501
Water Column**



**With 2
Type 801 Probes**

Quest-Tec Solutions *The New Standard of Level*

Customer:		Drawing No:	
		Serial No:	
Cust. Ref:		Drawn By:	EB
Factory Ref:		Checked By:	
Date:		Certified By:	



Plan View

