


Bill of Materials

Part	Material
1 Chamber	
2 End Caps	
3 Nozzle	
4 Flange	
5 Probe Covers	
6 Probe	
7 Fitting	

Notes

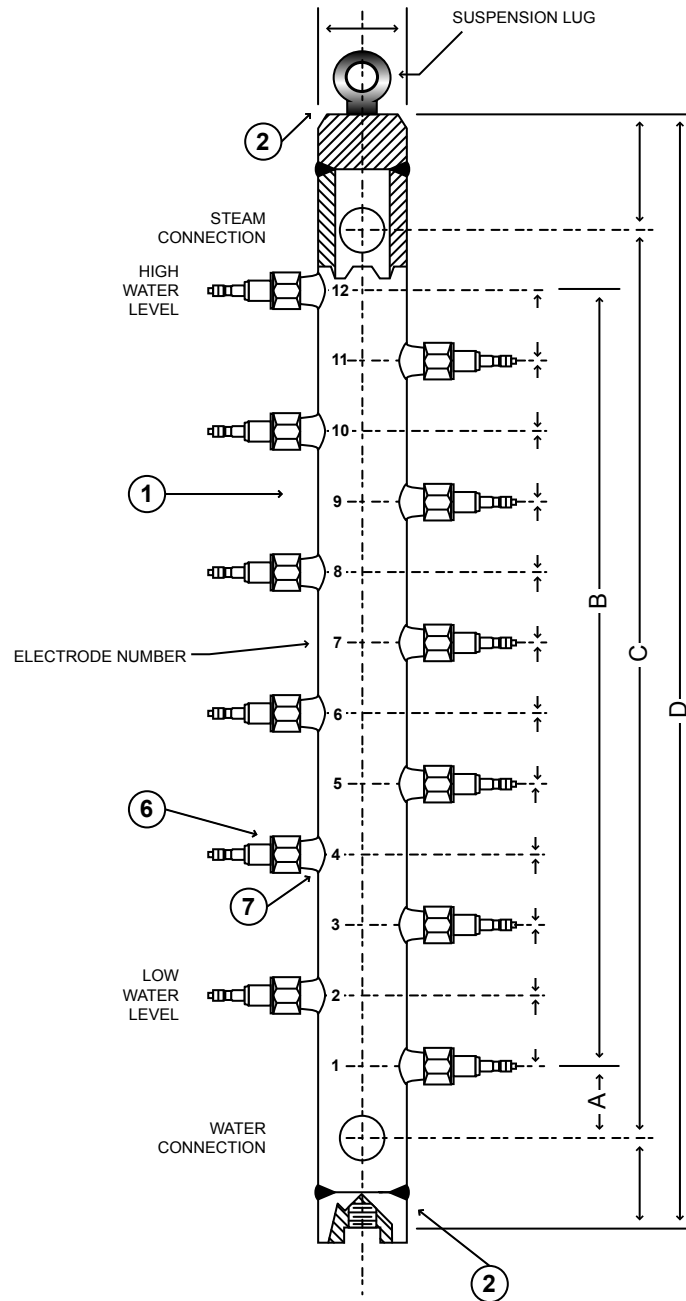
Dimensions (inches)

A	First Probe:
B	Visible Range:
C	Conn. Centers:
D	Overall Length:

Level-Trac Model 502
Water Column

With 12
Type 802 Probes

 **The New Standard of Level**

Customer:	Drawing No:
	Serial No:
Cust. Ref:	Drawn By: EB
Factory Ref:	Checked By:
Date:	Certified By:



Plan View

