

QUEST-TEC SOLUTIONS MAGNE-TRAC SPECIFICATION GUIDE

General Information

Company: _____	Phone No.: _____	Date: _____
Contact Name: _____	RFQ No.: _____	
Email: _____	Tag: _____	

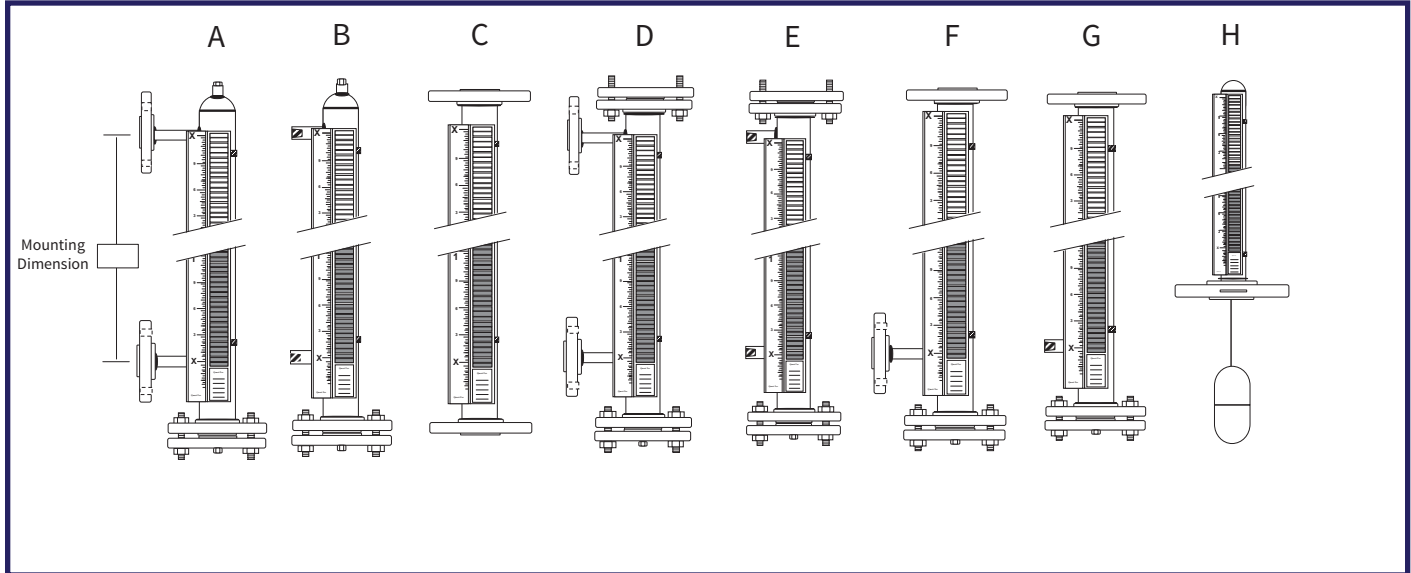
Process Conditions

Pressure: Min. _____ Oper.: _____ Max.: _____	Units of measurement: _____
Temperature: Min. _____ Oper.: _____ Max.: _____	Units of measurement: _____
Description of media: _____	
Specific Gravity (SG): Min. _____ Oper.: _____	
Is this an interface measurement? Yes No	
If yes, Lower fluid: Min SG / Max SG: _____/_____	Upper fluid: Min SG / Max SG: _____/_____
Does media flash or outgas in chamber? Yes No	

Customer Specific Design Criteria

Are there any existing specifications, including minimum pipe schedule, general piping specifications, or an approved manufacturer list (AML/AVL) to which this magnetic level indicator must comply? <div style="text-align: center; margin-top: 10px;"> Yes (Please Provide) No </div>
--

Mounting Style



Material of Construction

316/316L SS 316/316L SS Chamber with Carbon Steel Flanges Other Non-Magnetic Material _____

Process Connection Type

RFSO	RFLJ	FNPT
RFWN	RTJWN	Plain End Pipe Nipple
RFSW	MNPT	Other _____

Flange Rating

150#	300#	600#
900#	1500#	Other _____

Process Connection Size

1/2"	3/4"	1"
1.5"	2"	Other _____

