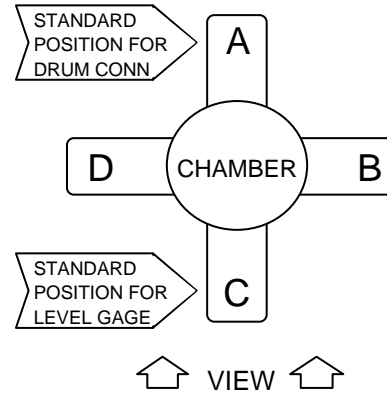
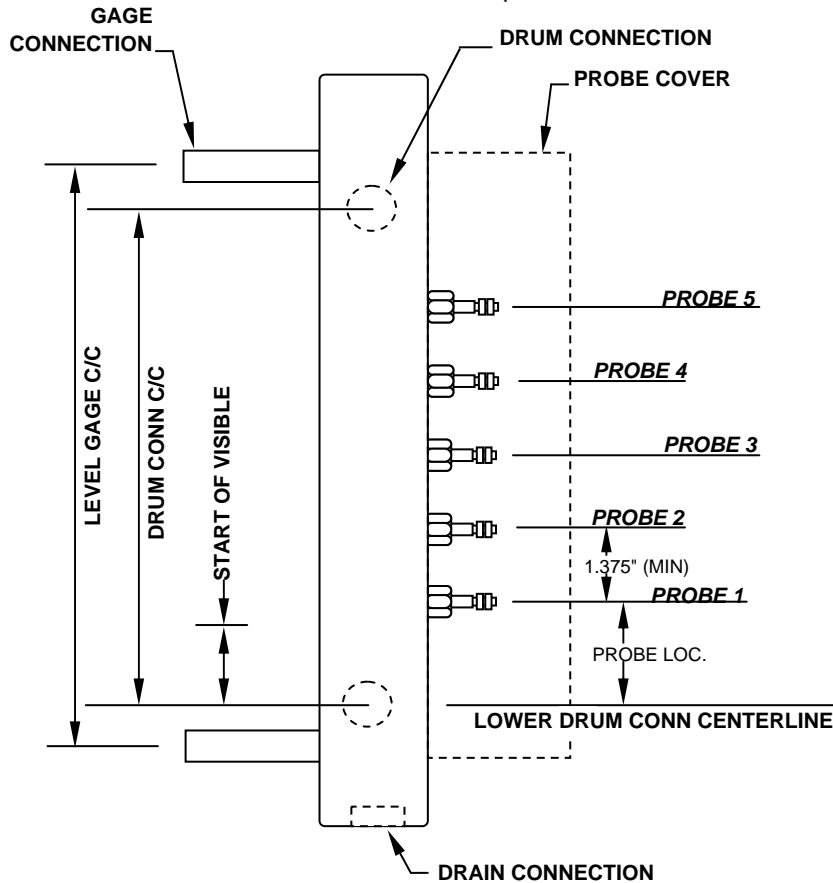


## LEVEL-TRAC CRITICAL DIMENSIONS SHEET

### 1 - 5 PROBE WORKSHEET

CUSTOMER		
CUSTOMER REF.		
PROJECT		
PURCHASE ORDER		
QTS ORDER		
QTS JOB		DATE
BY: JAB		REV. 0



### PLAN VIEW ORIENTATION

<b>A</b>	<input type="checkbox"/> LEVEL GAGE	<input type="checkbox"/> DRUM CONN
<b>B</b>	<input type="checkbox"/> LEVEL GAGE	<input type="checkbox"/> DRUM CONN
<b>C</b>	<input type="checkbox"/> LEVEL GAGE	<input type="checkbox"/> DRUM CONN
<b>D</b>	<input type="checkbox"/> LEVEL GAGE	<input type="checkbox"/> DRUM CONN

### OPTIONS & ACCESSORIES

- JUNCTION BOX
- HIGH TEMP CABLE BUNDLE
- ISOLATION VALVES
- DRAIN VALVE

- ★ COMPLETE ALL SHADED AREAS
- ★ ALL DIMENSIONS IN INCHES
- ★ ALLOW 1.375" (MIN.) FOR PROBE SPACING ON 1 SIDE OF CHAMBER

### LEVEL-TRAC MODEL

- LT-500 (1,000 PSI)
- LT-501 (2,000 PSI)
- LT-502 (3,000 PSI)

### DIMENSION & CONNECTION TYPE

DRUM CONN:	
DRUM C/C:	
LEVEL GAGE CONN:	
LEVEL GAGE C/C:	
DRAIN CONN:	
START OF VISIBLE:	

### PROBE LOCATION

P1	
P2	
P3	
P4	
P5	

LOWER DRUM CENTERLINE TO PROBE CL