



The New Standard of Level

Glass-Trac
Steam-Trac

Level-Trac
Magne-Trac

STEAM-TRAC ST-1000

Direct Reading Steam/Water Level Gage
For 1000 PSI Working Steam Pressure (WSP)

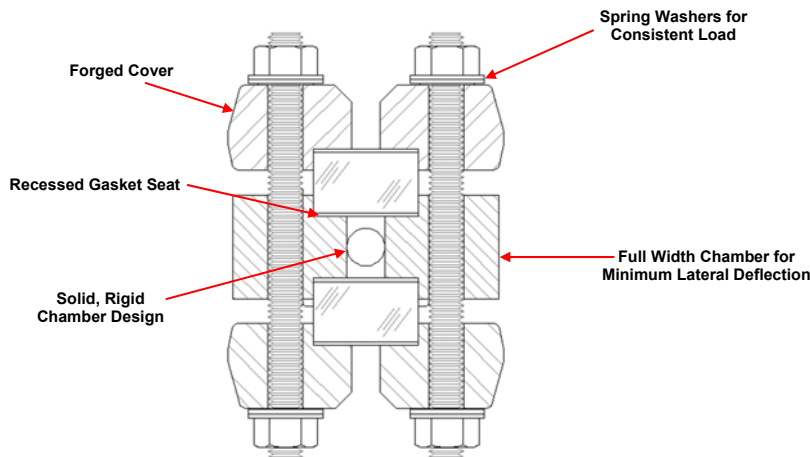
- Fully compliant with ASME as a Direct Reading Water Gage
- Multiple sections with minimum 1" overlap
- Spring washers for constant torque
- Recessed gasket face in chamber and cover
- Custom built per specifications
- Studs, nuts and washers are nickel plated
- High temperature coating

Steam-Trac ST-1000 steam gages are ruggedly built to set the industry standard for reliability. All material and construction standards are within strict compliance of ASME section 1 code requirements.

The Steam-Trac ST-1000 can be configured to replace less durable, more expensive competitive models or for specific construction products. Visible range must be achieved by using multiple sections with a minimum 1" overlap to ensure continuous visibility, as required by ASME Section 1, PG-60.



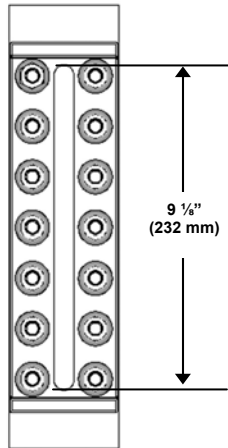
- Standard Materials*
- Chamber: A-105 Carbon Steel
 - Gasket: Grafoil® GHR
 - Shield: HQ Mica
 - Glass: Tempered Borosilicate
 - Cover: Forged Carbon Steel
 - Washers: 17-7PH Stainless Steel, Nickel Plated
 - Studs: A193-B7, Nickel Plated
 - Nuts: A194-2H, Nickel Plated



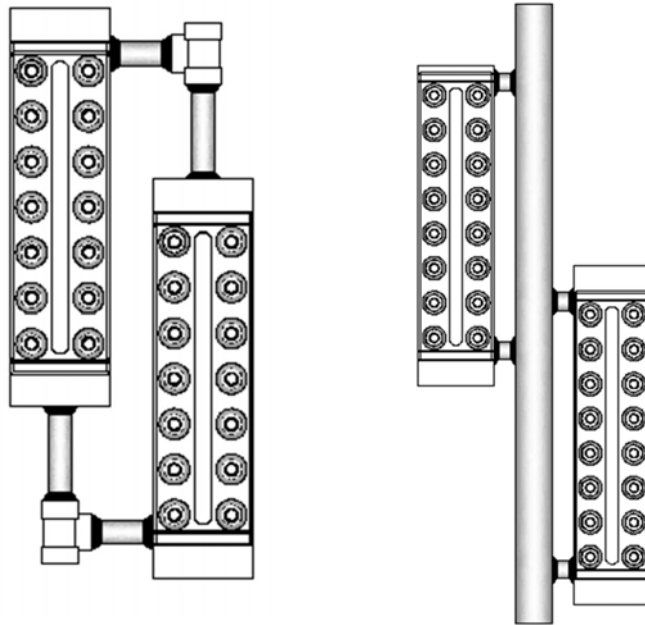
Single Section Gages		
Visible Glass		Model
inches	mm	
9 1/8	232	ST-1000-61
10 1/4	260	ST-1000-71
11 7/8	302	ST-1000-81
12 5/8	321	ST-1000-91

Multiple Section Gages		
Visible Glass		Model
inches	mm	
17 1/4	438	ST-1000-62
19 1/2	495	ST-1000-72
22 3/4	578	ST-1000-82
24 1/4	616	ST-1000-92
28 3/4	730	ST-1000-73
33 5/8	854	ST-1000-83
35 7/8	911	ST-1000-93
38	965	ST-1000-74
44 1/2	1130	ST-1000-84
47 1/2	1207	ST-1000-94
55 3/8	1407	ST-1000-85
59 1/8	1502	ST-1000-95

ST-1000 STEAM-TRAC DIRECT READING STEAM/WATER GAGES



The minimum size of a single insert is 9 1/4" visibility.
Standard size 6 glass



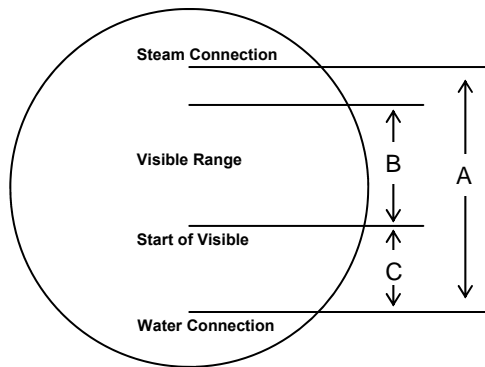
Gage inserts can be mounted on a center tie-tube to meet any visible range requirement

Connection Location
 TB = Top/Bottom Connected
 SS = Side/Side Connected
 SB = Top Side/Bottom End Connected
 TS = Top End/Bottom Side Connected

ST - 1000 - 74 - TB - 04 - U

Connection Size
 04 = 1/2"
 06 = 3/4"
 08 = 1"
 12 = 1 1/2"
 16 = 2"

Connection Type
 T = Threaded
 S = Socket Weld
 U = Uniflex Union
 F = Flanged
 N = 304 SS Stuffing Box Nipples (3/4" Top/Bottom Only)
 L = Expansion Loop



Dimensional Information Required:

- A = Steam Water Centers
Please indicate any valve or expansion loop requirements.
And
- B = Visible Range
And
- C = Start of Visibility

The following information is required for prompt, accurate cost quotations and order processing:

- Maximum Operating Steam Pressure
- Steam Water Connection Size and Type
- Other Plant Piping Tie-Ins
- Gage Valve Requirements



The New Standard of Level
 Glass-Trac Level-Trac
 Steam-Trac Magne-Trac

Address: 13960 S. Wayside · Houston, TX · 77048
 Toll Free Tel: 866.240.9906 · Tel: 281.240.0440 · Fax: 281.240.2440
 www.QTSLevel.com · sales@QTSLevel.com