

Bill of Materials

	Part	Material
1	Chamber	
2	Cover	
3	Glass	
4	Gasket	
4	Shield	
5	Cushion	
6	Bolt	
7	Washer	
8	Nut	
9	Nipples & Center Tube	

Notes

Dimensions

C	
D	

**Steam-Trac ST-450**



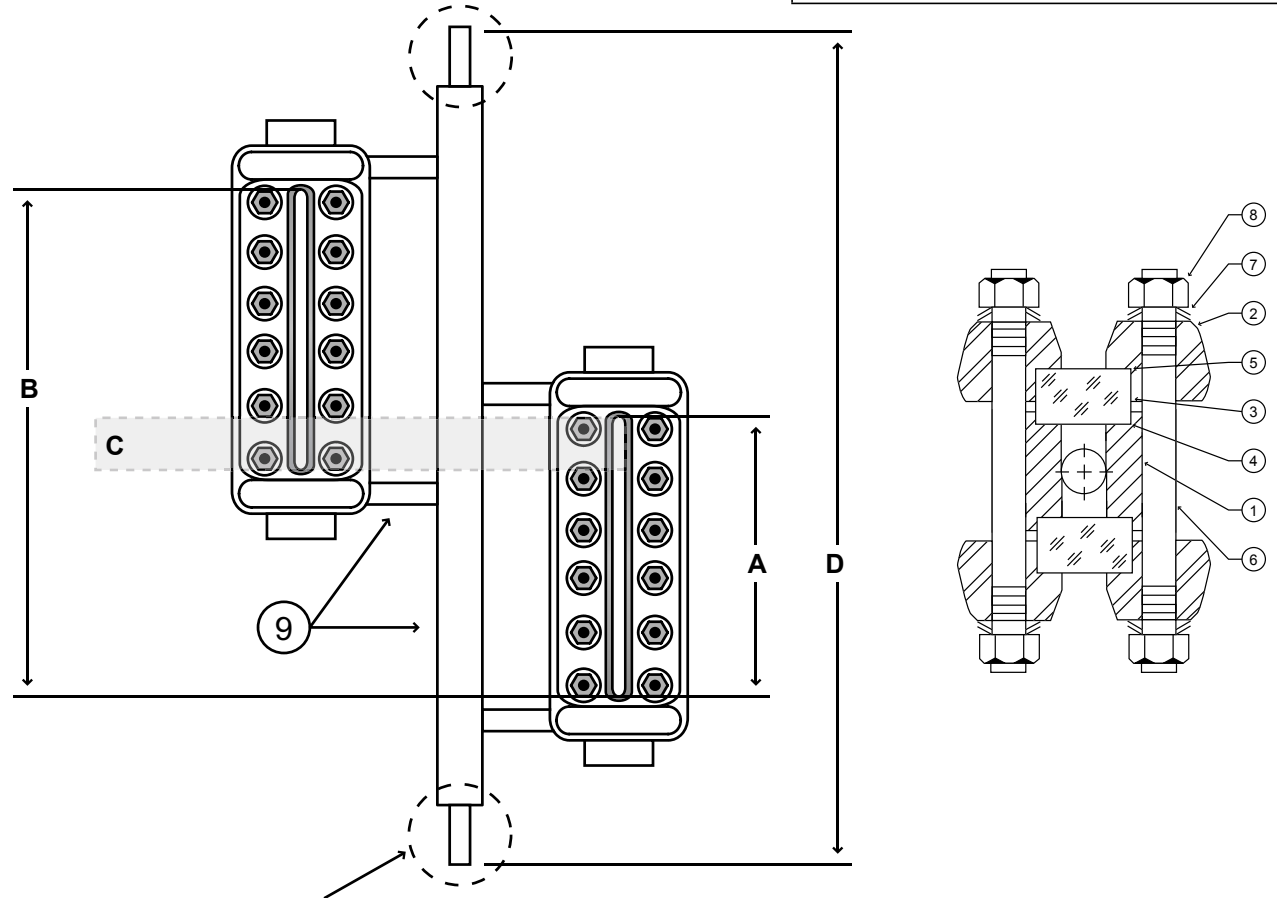
**2-Section**



*The New Standard of Level*

Customer:		Drawing No:	
		Serial No:	
Cust. Ref:		Drawn By:	EB
Factory Ref:		Checked By:	
Date:		Certified By:	

Model	Dim "A"	Dim "B"
ST-450-72	10.250	
ST-450-82	11.875	
ST-450-92	12.625	
Dimensions in Inches		



Gage Connection Options

