

Bill of Materials

Part	Material
1	Chamber
2	Cover
3	Glass
4	Gasket
4	Shield
5	Cushion
6	Bolt
7	Washer
8	Nut
9	Nipples & Center Tube

Notes

Dimensions

C	
D	

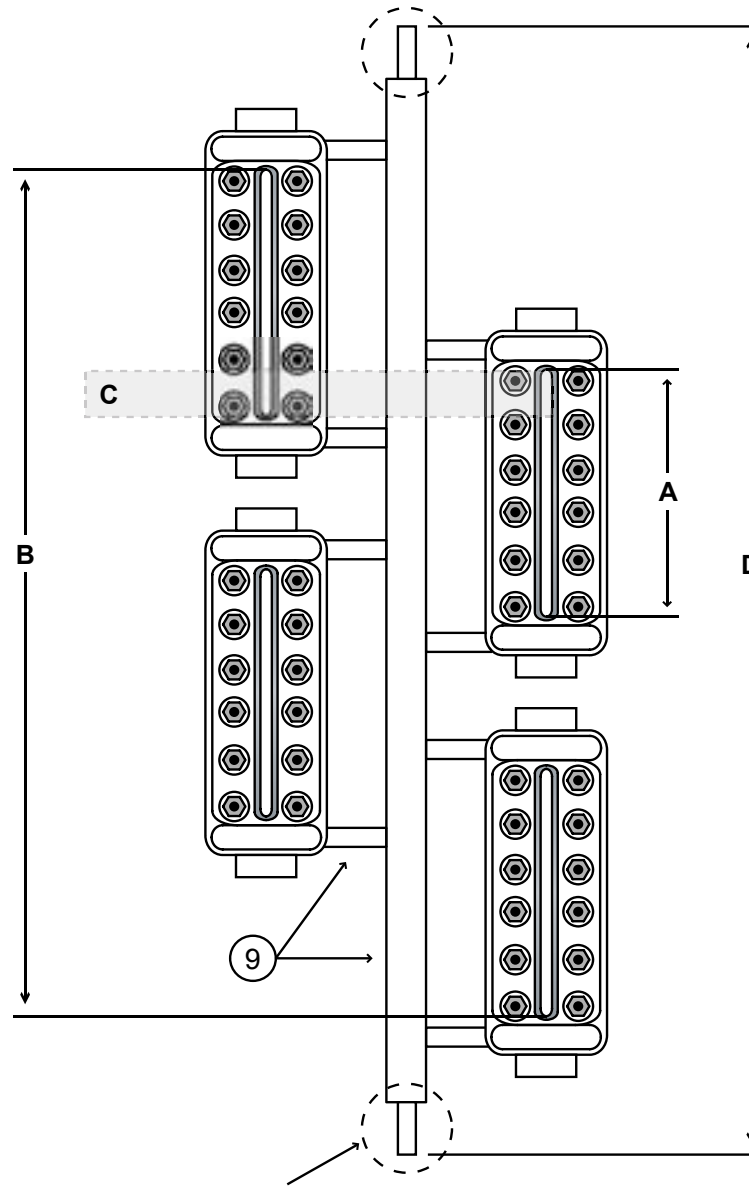
Steam-Trac ST-450



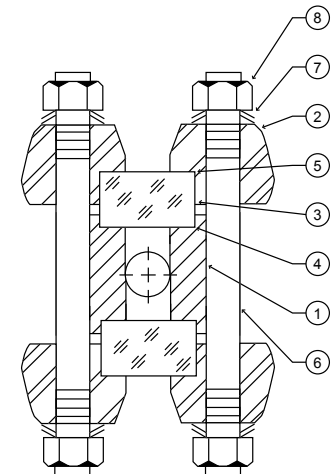
4-Section

Quest-Tec Solutions The New Standard of Level

Customer:		Drawing No:	
		Serial No:	
Cust. Ref:		Drawn By:	EB
Factory Ref:		Checked By:	
Date:		Certified By:	



Model	Dim "A"	Dim "B"
ST-450-74	10.250	
ST-450-84	11.875	
ST-450-94	12.625	
Dimensions in Inches		



Gage Connection Options

