

Bill of Materials

Part	Material
1	Chamber
2	Cover
3	Glass
4	Gasket
4	Shield
5	Cushion
6	Bolt
7	Washer
8	Nut
9	Nipples & Center Tube

Notes

Dimensions

C	
D	

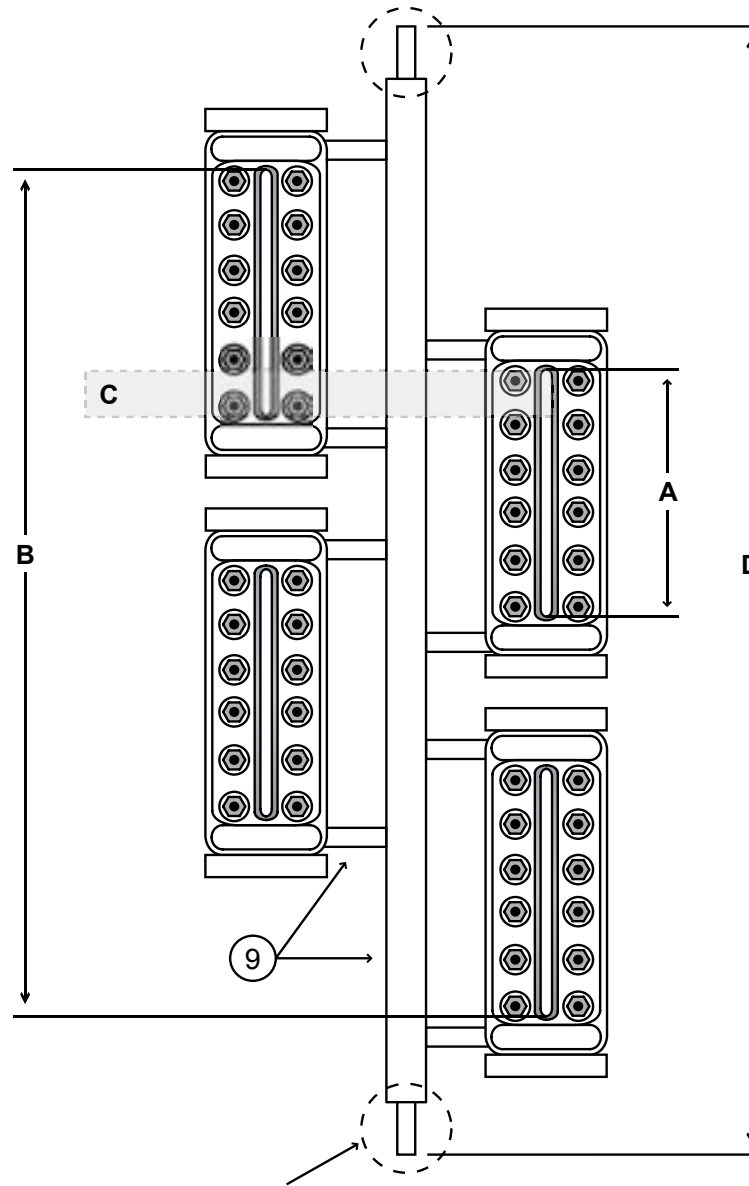
**Steam-Trac ST-1600**



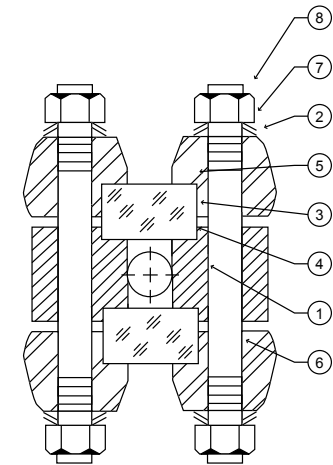
**4-Section**

**Quest-Tec Solutions** *The New Standard of Level*

Customer:		Drawing No:	
		Serial No:	
Cust. Ref:		Drawn By:	EB
Factory Ref:		Checked By:	
Date:		Certified By:	



Model	Dim "A"	Dim "B"
ST-1600-74	10.250	
ST-1600-84	11.875	
ST-1600-94	12.625	
Dimensions in Inches		



Gage Connection Options

