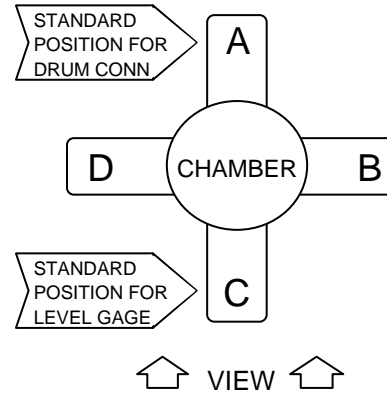
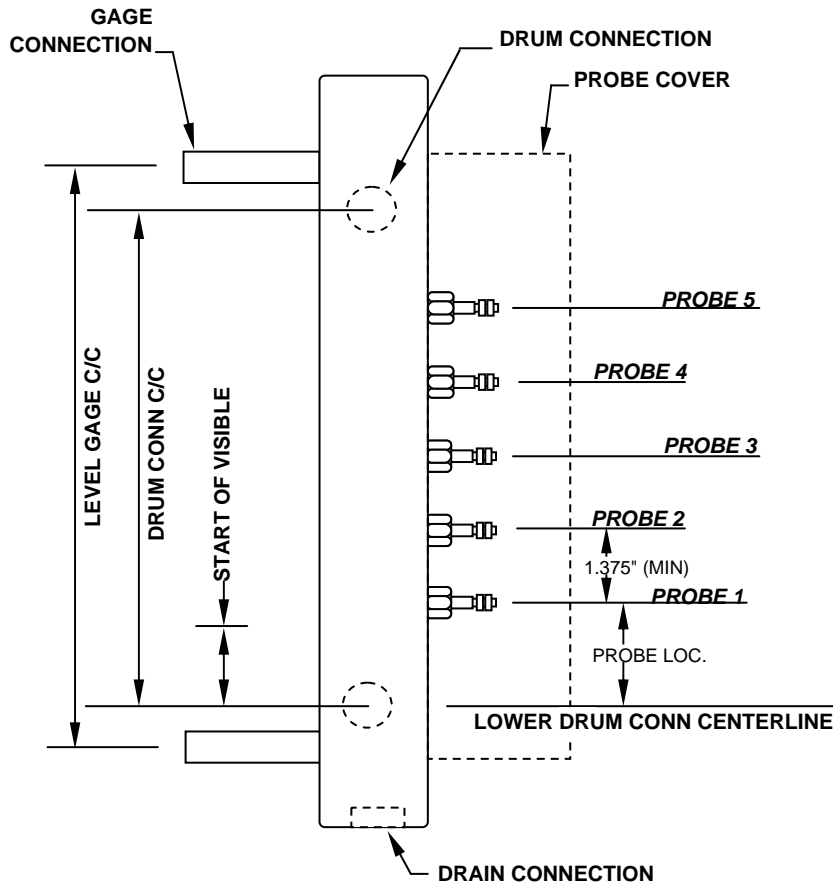


LEVEL-TRAC CRITICAL DIMENSIONS SHEET

1 - 5 PROBE WORKSHEET

CUSTOMER			
CUSTOMER REF.			
PROJECT			
PURCHASE ORDER			
QTS ORDER			
QTS JOB		DATE	
BY: JAB		REV. 0	



PLAN VIEW ORIENTATION

A	<input type="checkbox"/> LEVEL GAGE	<input type="checkbox"/> DRUM CONN
B	<input type="checkbox"/> LEVEL GAGE	<input type="checkbox"/> DRUM CONN
C	<input type="checkbox"/> LEVEL GAGE	<input type="checkbox"/> DRUM CONN
D	<input type="checkbox"/> LEVEL GAGE	<input type="checkbox"/> DRUM CONN

OPTIONS & ACCESSORIES

- JUNCTION BOX
- HIGH TEMP CABLE BUNDLE
- ISOLATION VALVES
- DRAIN VALVE

- ★ COMPLETE ALL SHADED AREAS
- ★ ALL DIMENSIONS IN INCHES
- ★ ALLOW 1.375" (MIN.) FOR PROBE SPACING ON 1 SIDE OF CHAMBER

LEVEL-TRAC MODEL

- LT-500 (1,000 PSI)
- LT-501 (2,000 PSI)
- LT-502 (3,000 PSI)

DIMENSION & CONNECTION TYPE

DRUM CONN:	
DRUM C/C:	
LEVEL GAGE CONN:	
LEVEL GAGE C/C:	
DRAIN CONN:	
START OF VISIBLE:	

PROBE LOCATION

P1	
P2	
P3	
P4	
P5	

LOWER DRUM CENTERLINE TO PROBE CL