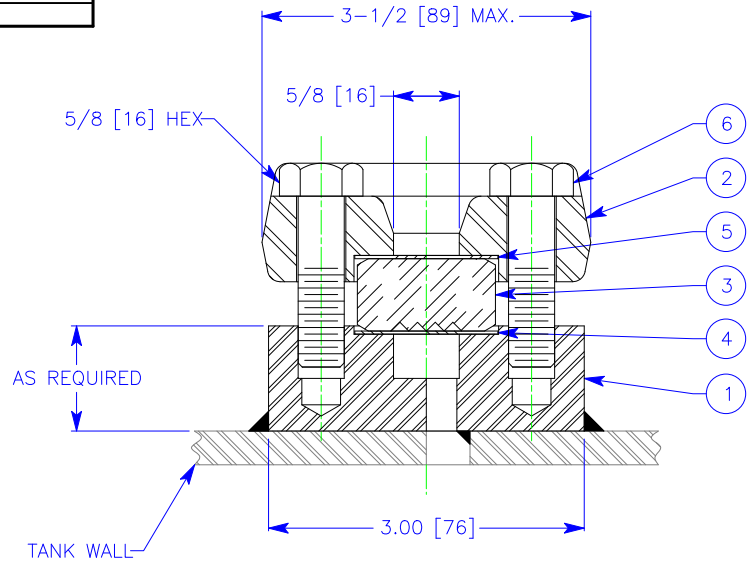


BILL OF MATERIAL

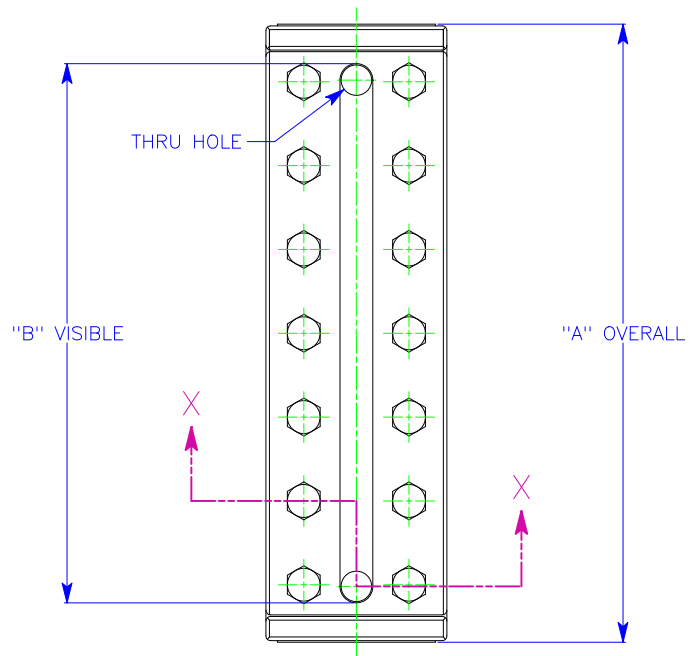
120-08

ITEM	DESCRIPTION	MATERIAL
1	WELDING PAD (BODY)	CARBON STEEL
2	COVER	CARBON STEEL
3	REFLEX GLASS	TEMPERED BOROSILICATE
4	GASKET	GARLOCK IFG-5500
5	CUSHION	GARLOCK IFG-5500
6	BOLT	A193 GR B7



SECTION X - X
2X DETAIL



SIZE NO.		DIMENSIONS IN INCHES [MM]		CAP SCREWS
GLASS SIZE	NO. SECT.	A	B	QTY. PER GAGE
1	1	5-1/4 [133]	3-3/4 [95]	6
2	1	6-1/4 [159]	4-3/4 [121]	6
3	1	7-1/4 [184]	5-3/4 [146]	8
4	1	8-1/4 [210]	6-3/4 [171]	10
5	1	9-3/8 [238]	7-7/8 [200]	10
6	1	10-5/8 [270]	9-1/8 [232]	12
7	1	11-3/4 [298]	10-1/4 [260]	14
8	1	13-3/8 [340]	11-7/8 [302]	16
9	1	14-1/8 [359]	12-5/8 [321]	16
3	2	14-1/2 [368]	13 [330]	16
4	2	16-1/2 [419]	15 [381]	20
5	2	18-3/4 [476]	17-1/4 [438]	20
6	2	21-1/4 [540]	19-3/4 [502]	24
7	2	23-1/2 [597]	22 [559]	28
8	2	26-3/4 [679]	25-1/4 [641]	32
9	2	28-1/4 [718]	26-3/4 [679]	32
6	3	31-7/8 [810]	30-3/8 [772]	36
7	3	35-1/4 [895]	33-3/4 [857]	42
8	3	40-1/8 [1019]	38-5/8 [981]	48
9	3	42-3/8 [1076]	40-7/8 [1038]	48
7	4	47 [1194]	45-1/2 [1156]	56
8	4	53-1/2 [1359]	52 [1321]	64
9	4	56-1/2 [1435]	55 [1397]	64
7	5	58-3/4 [1492]	57-1/4 [1454]	70
8	5	66-7/8 [1699]	65-3/8 [1661]	80
9	5	70-5/8 [1794]	69-1/8 [1756]	80



MAXIMUM RATING: 4000 PSIG @ 100° F, DEPENDENT UPON THE DESIGN OF THE TANK.

THIS DRAWING IN DESIGN AND DETAIL IS OUR PROPERTY AND MUST NOT BE USED EXCEPT IN CONNECTION WITH OUR WORK. IT SHALL NOT BE REPRODUCED AND SHALL BE RETURNED TO US ON DEMAND. ALL RIGHTS ARE RESERVED.

REV	DATE	DESCRIPTION	DRN	APPD
1	7/31/14	REDRAWN, PER ERN NO. 0134	JLR	PCD
ERN NO.: 0134 ALL DIMENSIONS IN INCHES [MM], UNLESS OTHERWISE SPECIFIED.				

CATALOG DRAWING				13960 SOUTH WAYSIDE DR. HOUSTON, TEXAS 77048 (281)240-0440 FAX(281)240-2440 E-MAIL: SALES@QTSLEVEL.COM			
STANDARD MANUFACTURING LIMITS UNLESS OTHERWISE SPECIFIED				TITLE			
UNDER 1.00 ± .03 1.00 INCL. TO 4.00 ± .06 4.00 AND OVER ± .13 ANGLES ± 2°				GLASS-TRAC WELDING PAD LIQUID LEVEL GAGE			
DRN	JLR	DATE	7/31/14	DWG NO.	120-08		
CHKD	PCD	DATE	7/31/14	REV	1		
APPD	PCD	DATE	7/31/14	SCALE	DO NOT SCALE		SHT 1 OF 1