

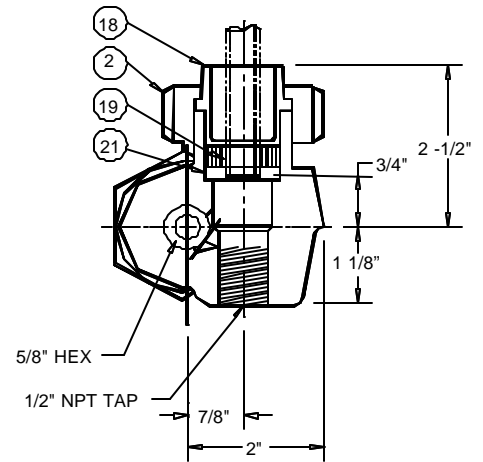
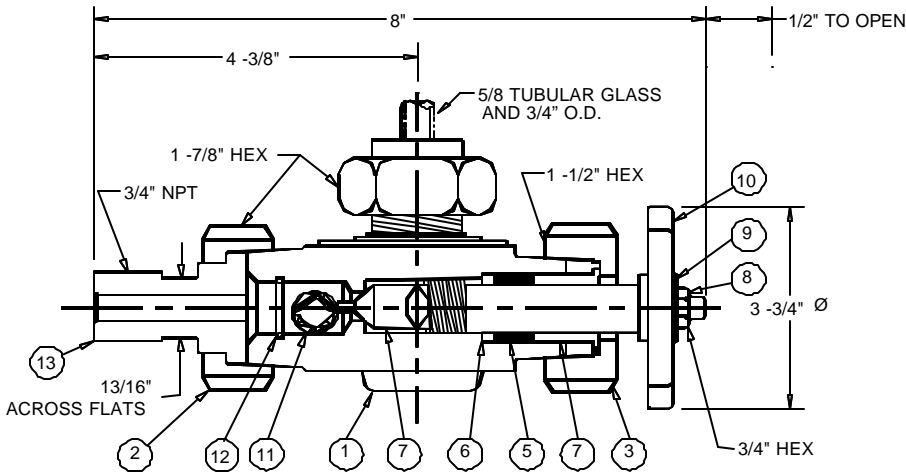
ITEM NO.	NAME	STANDARD	316 S.S. WETTED PARTS
		MATERIAL	MATERIAL
1	BODY	CARBON STEEL	316 S.S.
2	UNION NUT	CARBON STEEL	CARBON STEEL
3	PACKING NUT	CARBON STEEL	CARBON STEEL
4	PACKING FOLLOWER	316 S.S.	316 S.S.
5	PACKING RING	TEFLON	TEFLON
6	PACKING WASHER	17-4 PH S.S.	17-4 PH S.S.
7	STEM	416 S.S.	316 S.S.
8	STEM NUT	CARBON STEEL	CARBON STEEL
9	NAME PLATE	304 S.S.	304 S.S.
10	HANDWHEEL	ALLOY ZINC	ALLOY ZINC
11	BALL	440 S.S.	440 S.S.
12	BALL RETAINER	316 S.S.	316 S.S.

ITEM NO.	NAME	STANDARD	316 S.S. WETTED PARTS
		MATERIAL	MATERIAL
13	MALE CONNECTOR	CARBON STEEL	316 S.S.
14	BONNET(1)	1018 CD-SR	316 S.S.
15	SEAT	416 S.S.	316 S.S.
18	GLASS FOLLOWER	CARBON STEEL	CARBON STEEL
19	GLASS GASKET	BUNA-N	BUNA-N
**20 or 21	LOWER GLASS SUPPORT	CARBON STEEL	316 S.S.

**ITEM NO. 21 IS USED IN LOWER VALVE; ITEM NO. 20 IN UPPER VALVE
 NOTE: Valve shown is for bottom left hand (or top right hand) location. Opposite hand is reversed. Valves are furnished in pairs of one bottom left hand and one top left hand.
 (1) For Type 1 – 416 S.S.

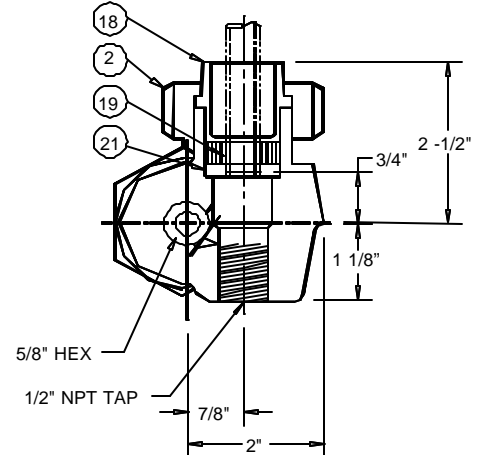
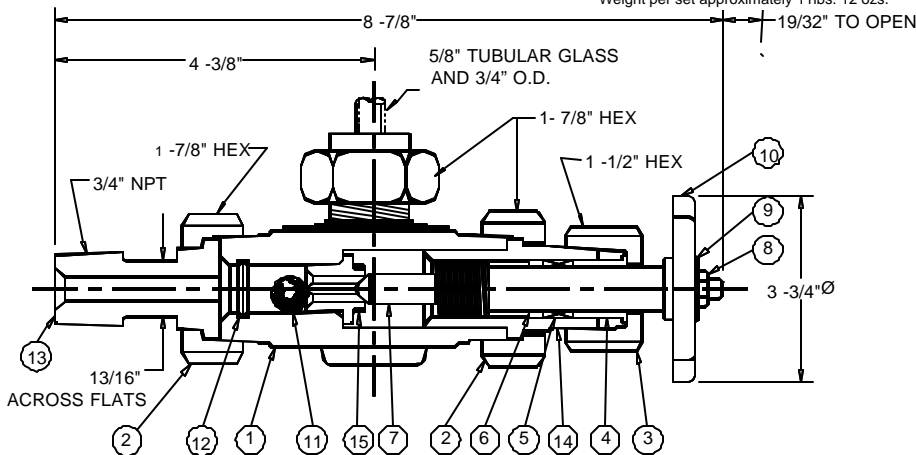
TYPE 1T

Weight per set approximately 10lbs. 12 ozs.



TYPE 2T

Weight per set approximately 11lbs. 12 ozs.



Customer _____
 Cust. P. O. #: _____
 Factory #: _____
 Rep P.O. #: _____
 Assembled _____ "Centers"
 Tag #'s: _____

1T & 2T 120-72
UNION TANK CONNECTION
3/4" NPT



P.O. Box 2127 • Stafford, Texas 77497-2127
 (281) 240-0440 • Fax: (281) 240-2440

Scale:		Date:
Drawing #:		
Revision #		
Drawn By:	DMC	
Ck'd By:		
Certified By:		
Model #:		