

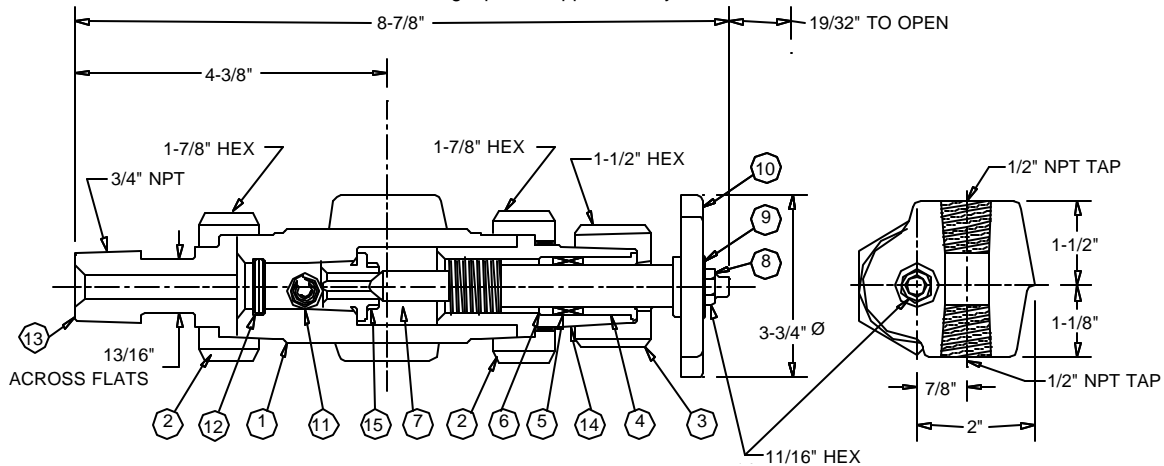
PARTS

ITEM NO.	NAME	STANDARD	316 S.S. WETTED PARTS
		MATERIAL	MATERIAL
1	BODY	CARBON STEEL	316 S.S.
2	UNION NUT	CARBON STEEL	CARBON STEEL
3	PACKING NUT	CARBON STEEL	CARBON STEEL
4	PACKING FOLLOWER	316 S.S.	316 S.S.
5	PACKING RING	TEFLON	TEFLON
6	PACKING WASHER	17-4 PH.S.S.	17-4 PH.S.S.
7	STEM	416 S.S.	316 S.S.
8	STEM NUT	CARBON STEEL	CARBON STEEL
9	NAME PLATE	304 S.S.	304 S.S.
10	HAND WHEEL	ALLOY ZINC	ALLOY ZINC

ITEM NO.	NAME	STANDARD	316 S.S. WETTED PARTS
		MATERIAL	MATERIAL
11	BALL	440 S.S.	316 S.S.
12	BALL RETAINER	316 S.S.	316 S.S.
13	MALE CONNECTOR	CARBON STEEL	316 S.S.
14	BONNET	1018CD-SR	316 S.S.
15	SEAT	416 S.S.	316 S.S.
17	FEAMALE CONNECTOR	CARBON STEEL	316 S.S.

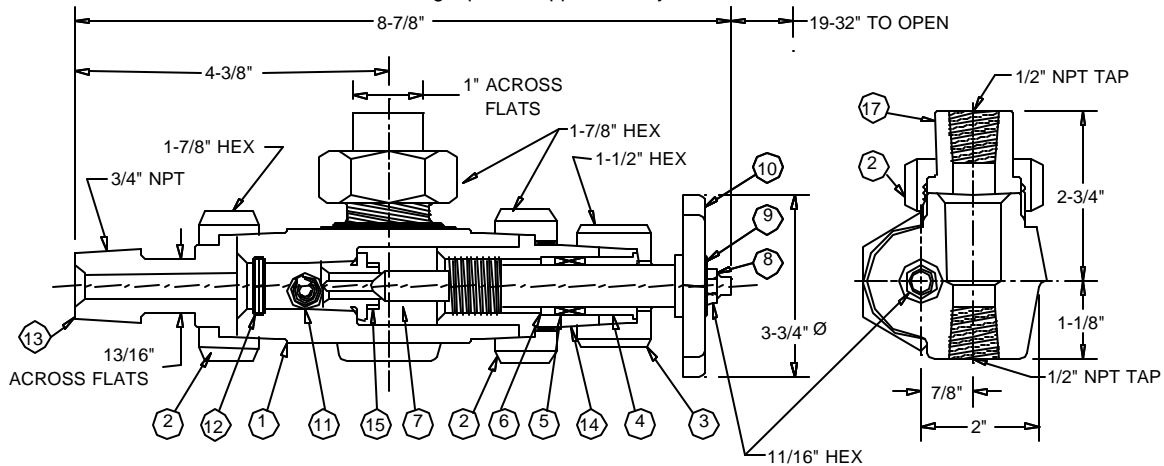
TYPE 2S

Weight per set approximately 11 lbs. 6 ozs.



TYPE 2U

Weight per set approximately 12 lbs. 6 ozs.



Customer _____
 Cust. P. O. #: _____
 Factory #: _____
 Rep P.O. #: _____
 Assembled _____ "Centers"
 Tag #'s: _____

2S & 2U 120-52
UNION TANK CONNECTION



P.O. Box 2127 • Stafford, Texas 77497-2127
 (281) 240-0440 • Fax: (281) 240-2440

Scale:		Date:
Drawing #:		
Revision #		
Drawn By:	DMC	
Ck'd By:		
Certified By:		
Model #:		