

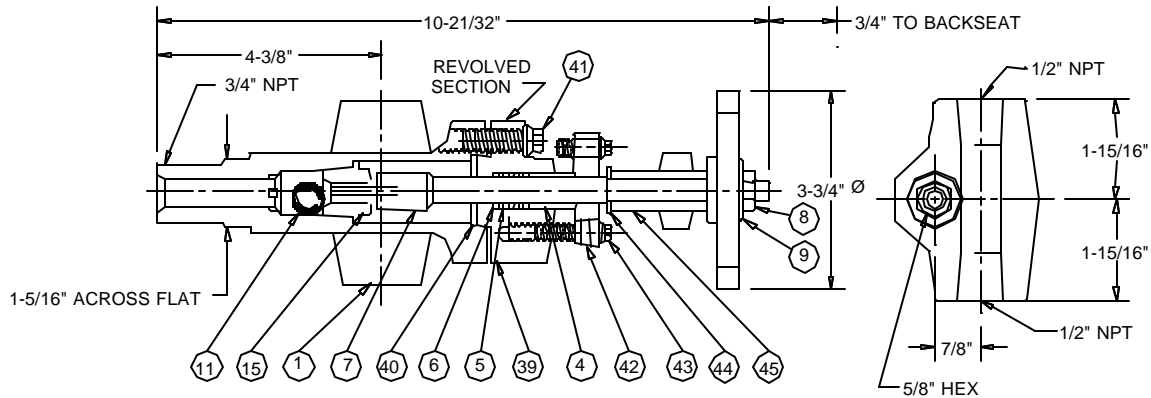
ITEM NO.	NAME	STANDARD	316 S.S. WETTED PARTS
		MATERIAL	MATERIAL
1	BODY	CARBON STEEL	316 S.S.
4	PACKING FOLLOWER	316 S.S.	316 S.S.
5	PACKING RING	TEFLON	TEFLON
6	PACKING WASHER	17-4 PH.S.S.	17-4 PH.S.S.
7	STEM	416 S.S.	316 S.S.
8	STEM NUT	CARBON STEEL	CARBON STEEL
9	NAME PLATE	304 S.S.	304 S.S.
11	BALL	440 S.S.	316 S.S.
15	SEAT	416 S.S.	316 S.S.
17	FEMALE CONNECTOR	CARBON STEEL	316 S.S.
2	UNION NUT	CARBON STEEL	CARBON STEEL

ITEM NO.	NAME	STANDARD	316 S.S. WETTED PARTS
		MATERIAL	MATERIAL
39	YOKE	FORGED STEEL	316 S.S.
40	YOKE GASKET	ASB-304 S.S.	ASB-304 S.S.
*41	YOKE SCREW	CARBON STEEL	CARBON STEEL
42	PRESSURE BAR	FORGED STEEL	FORGED STEEL
**43	PRESS BAR SCREW	ALLOY STEEL	ALLOY STEEL
44	INR THIRST WASHER	17-4 PH.S.S.	17-4 PH.S.S.
45	HANDWHEEL ASSY.	AL-BZ/ZINC	AL-BZ/ZINC
46	OUT THRST WASHER	17-4 PH.S.S.	17-4 PH.S.S.

*4 REQUIRED
**2 REQUIRED

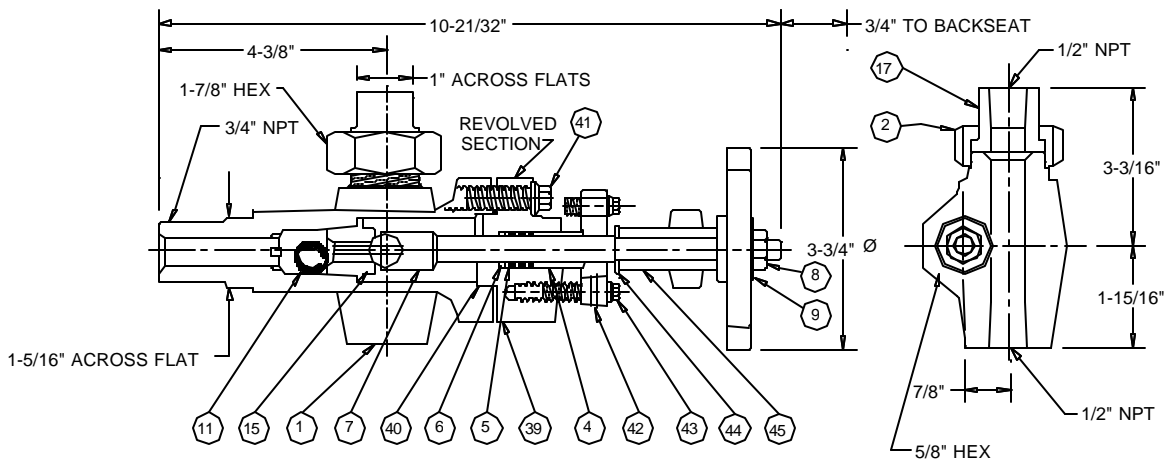
TYPE 3S

Weight per set approximately 17 lb. 8 ozs



TYPE 3U

Weight per set approximately 17 lb. 8 ozs



Customer _____
 Cust. P. O. #: _____
 Factory #: _____
 Rep P.O. #: _____
 Assembled _____ "Centers"
 Tag #'s: _____

3S & 3U 120-53 NON-UNION TANK CONNECTION



P.O. Box 2127 • Stafford, Texas 77497-2127
 (281) 240-0440 • Fax: (281) 240-2440

Scale:		Date:
Drawing #:		
Revision #		
Drawn By:	DMC	
Ck'd By:		
Certified By:		
Model #:		