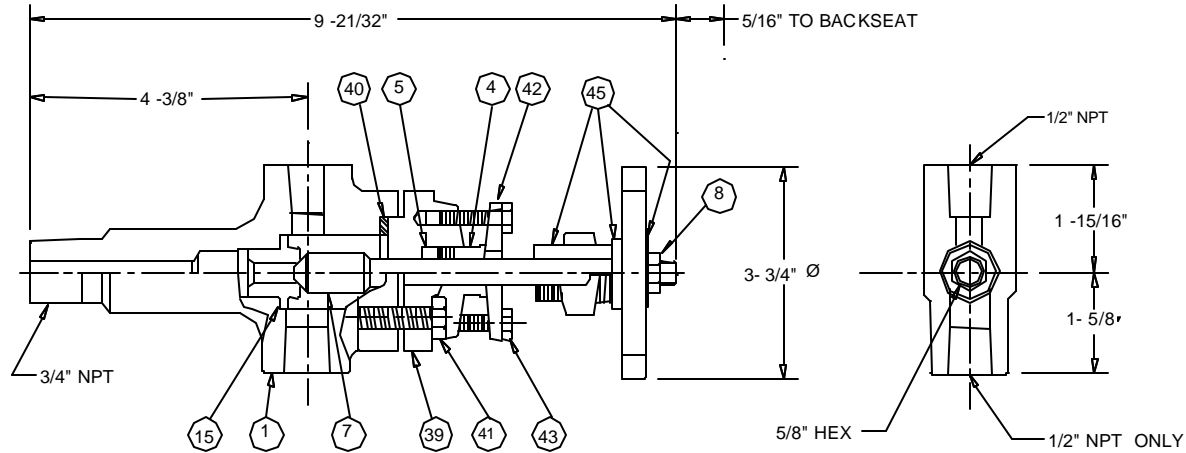


ITEM NO.	NAME	STANDARD	316 S.S.WETTED PARTS
		MATERIAL	MATERIAL
1	BODY	CARBON STEEL	CARBON STEEL
2	UNION NUT	CARBON STEEL	CARBON STEEL
4	PACKING FOLLOWER	STEEL	316 S.S.
5	PACKING RING	TEFLON	TEFLON
7	STEM	416 S.S.	316 S.S.
8	STEM NUT	CARBON STEEL	CARBON STEEL
15	SEAT	416 S.S.	316 S.S.
17	FEMALE CONNECTOR	CARBON STEEL	316 S.S.

ITEM NO.	NAME	STANDARD	316 S.S. WETTED PARTS
		MATERIAL	MATERIAL
39	YOKE	FORGED STEEL	316 S.S.
40	YOKE GASKET	304 S.S. / FLEXITE	304 S.S. / FLEXITE
41	YOKE BOLT	ALLOY STEEL	ALLOY STEEL
42	PRESSURE BAR	FORGED STEEL	FORGED STEEL
43	PRESS BAR SCREW	ALLOY STEEL	ALLOY STEEL
45	STEM-SCREW-HANDLE NAME PLATE ASSEMBLY	304 S.S. / ZINC IRON / 304 S.S.	304 S.S. / ZINC IRON / 304 S.S.
46	OUTER THRUST WASHER	STEEL	STEEL

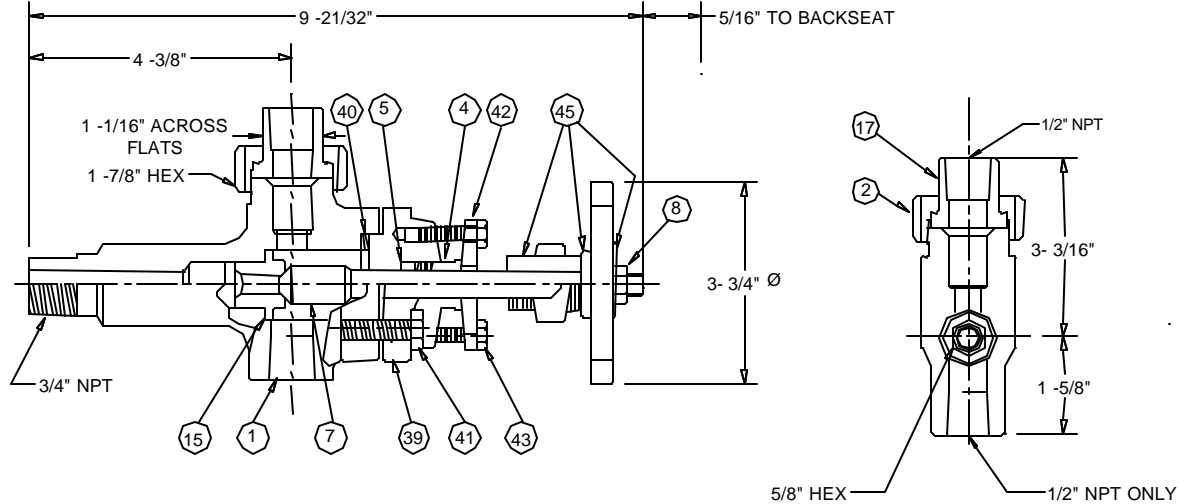
## Type 5S

Weight per set approximately 12 lbs.



## Type 5U

Weight per set approximately 12 lbs.



Customer \_\_\_\_\_  
 Cust. P. O. #: \_\_\_\_\_  
 Factory #: \_\_\_\_\_  
 Rep P.O. #: \_\_\_\_\_  
 Assembled \_\_\_\_\_ "Centers"  
 Tag #'s: \_\_\_\_\_

### 5S & 5U 120-55 NON-UNION TANK CONNECTION



P.O. Box 2127 • Stafford, Texas 77497-2127  
 (281) 240-0440 • Fax: (281) 240-2440

Scale:		<b>Date:</b>
Drawing #:		
Revision #		
Drawn By:	<b>DMC</b>	
Ck'd By:		
Certified By:		
Model #:		