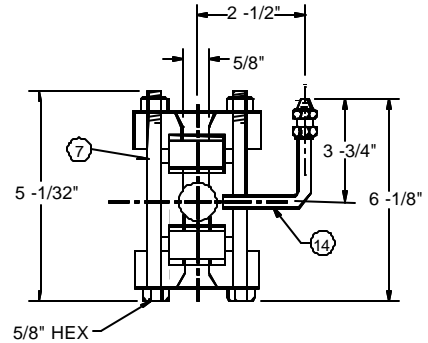
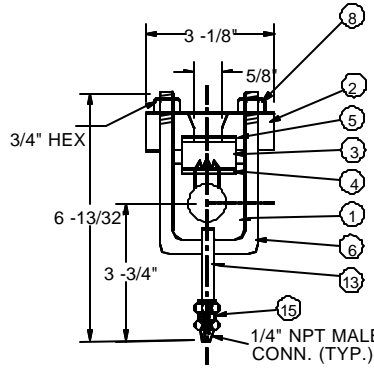
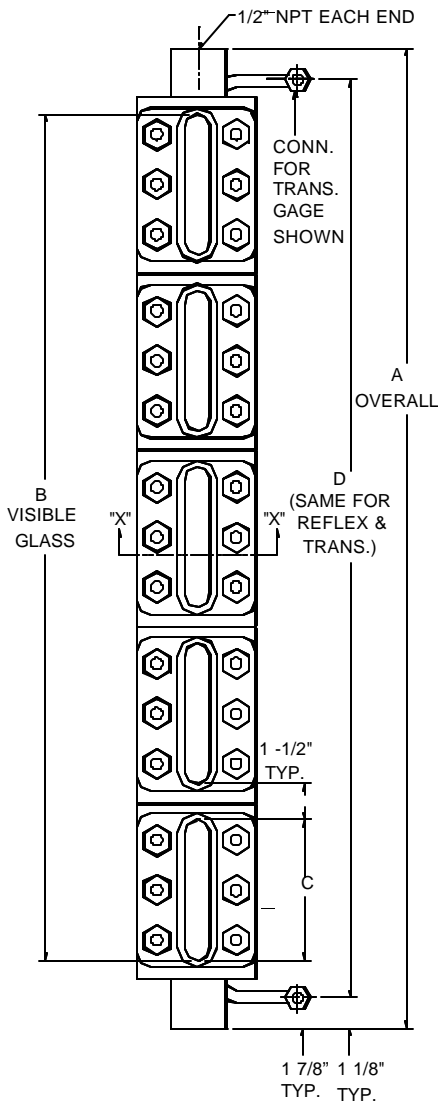


MID PRESSURE GAGE				
	REFLEX MAX.		TRANSPARENT MAX	
	PSIG @ TEMP.*		PSIG @ TEMP.**	
Glass Size	100°	600°	100°	600°
1	3000	2220	2500	1850
2	2910	2150	2315	1720
3	2820	2080	2130	1575
4	2725	2040	1940	1435
5	2630	1950	1750	1295
6	2535	1875	1565	1160
7	2440	1805	1375	1015
8	2345	1740	1190	880
9	2250	1670	1000	740



ITEM NO.	NAME	CARBON STEEL	STAINLESS STEEL WETTED
1	CHAMBER	CARBON STEEL	316L SS
2	COVER	CARBON STEEL	CARBON STEEL
3	GLASS	TEMPERED	TEMPERED
16	SHIELD	AS REQUIRED	AS REQUIRED
4	GASKET	NON-ASBESTOS	NON-ASBESTOS
5	CUSHION	NON-ASBESTOS	NON-ASBESTOS
6	U-BOLT	ASTM A 193 B7	ASTM A193 B7
7	BOLT	ASTM A 193 B7	ASTM A193 B7
8	NUT	ASTM A 194 2H	ASTM A194 2H
13	TUBING	COPPER	COPPER
14	TUBING	COPPER	COPPER
15	FITTING	STEEL	STEEL

SIZE NO.	NUMBER OF SECTIONS					NUMBER OF SECTIONS					DIM "C" IN INCHES	NUMBER OF SECTIONS				
	DIMENSION "A" IN INCHES					DIMENSION "B" IN INCHES						DIMENSION "D" IN INCHES				
	1	2	3	4	5	1	2	3	4	5		1	2	3	4	5
1	7 1/2					3 3/4					3 3/4	5 1/4				
2	8 1/2					4 3/4					4 3/4	6 1/4				
3	9 1/2	16 3/4				5 3/4	13				5 3/4	7 1/4	14 1/2			
4	10 1/2	18 3/4				6 3/4	15				6 3/4	8 1/4	16 1/2			
5	11 5/8	21				7 7/8	17 1/4				7 7/8	9 3/8	18 3/4			
6	12 7/8	23 1/2	34 1/8			9 1/8	19 3/4	30 3/8			9 1/8	10 5/8	21 1/4	31 7/8		
7	14	25 3/4	37 1/2	49 1/4	61	10 1/4	22	33 3/4	45 1/2	57 1/4	10 1/4	11 3/4	23 1/2	35 1/4	47	58 3/4
8	15 5/8	29	42 3/8	55 3/4	69 1/8	11 7/8	25 1/4	38 5/8	52	65 3/8	11 7/8	13 3/8	26 3/4	40 1/8	53 1/2	66 7/8
9	16 3/8	30 1/2	44 5/8	58 3/4	72 7/8	12 5/8	26 3/4	40 7/8	55	69 1/8	12 5/8	14 1/8	28 1/4	42 3/8	56 1/2	70 5/8

Customer _____
 Cust. P. O. #: _____
 Factory #: _____
 Rep P.O. #: _____
 Assembled _____ "Centers"
 Tag #'s: _____

**HEATED COOLED 120-32
 SERIES HC
 MID PRESSURE
 1/2" OR 3/4" NPT CONN**



P.O. Box 2127 • Stafford, Texas 77497-2127
 (281) 240-0440 • Fax: (281) 240-2440

Scale: _____ **Date:** _____
 Drawing #: _____
 Revision #: _____
 Drawn By: **DMC**
 Ck'd By: _____
 Certified By: _____
 Model #: _____