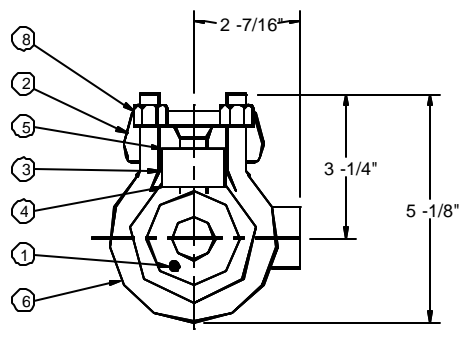
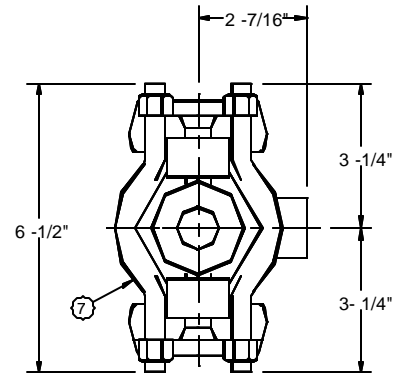


PRESSURES-TEMPERATURE RATINGS (psig)						
REFLEX - LARGE CHAMBER						
Glass Size	100	200	300	400	500	600
1	1020	990	950	910	850	755
2	980	950	915	875	815	725
3	940	910	880	840	780	695
4	900	870	840	805	750	665
5	860	830	800	770	715	635
6	830	805	775	745	690	610
7	790	765	735	710	660	585
8	750	725	700	670	625	555
9	720	695	670	645	600	530

PRESSURES-TEMPERATURE RATINGS (psig)						
TRANSPARENT - LARGE CHAMBER						
Glass Size	100	200	300	400	500	600
1	790	765	740	705	660	585
2	750	725	700	670	625	555
3	720	695	670	645	600	530
4	680	655	635	610	565	500
5	650	630	605	580	540	480
6	610	590	570	545	510	450
7	580	560	540	520	485	430
8	540	520	505	480	450	400
9	500	485	465	445	415	370



REFLEX ( CH. )



TRANSPARENT ( CH )

ITEM NO.	NAME	CARBON STEEL	STAINLESS STEEL
1	CHAMBER	ASTM A106 GRB	316.SS
2	COVER	CARBON STEEL	CARBON STEEL
3	GLASS	TEMPERED	TEMPERED
9	SHIELD	AS REQUIRED	AS REQUIRED
4	GASKET	NON-ASBESTOS	NON-ASBESTOS
5	CUSHION	NON-ASBESTOS	NON-ASBESTOS
6	U-BOLT	ASTM A193 B7	ASTM A193 B7
7	BOLT	ASTM A193 B7	ASTM A193 B7
8	NUT	ASTM A194 2H	ASTM A194 2H

SIZE NO.	NUMBER OF SECTIONS					NUMBER OF SECTIONS					DIM "C" IN INCHES	NUMBER OF SECTIONS				
	DIMENSION "A" IN INCHES					DIMENSION "B" IN INCHES						DIMENSION "D" IN INCHES				
	1	2	3	4	5	1	2	3	4	5		1	2	3	4	5
1	8 3/8					3 3/4					3 3/4	5 5/8				
2	9 3/8					4 3/4					4 3/4	6 5/8				
3	10 3/8	17 5/8				5 3/4	13				5 3/4	7 5/8	14 7/8			
4	11 3/8	19 5/8				6 3/4	15				6 3/4	8 5/8	16 7/8			
5	12 1/2	21 7/8				7 7/8	17 1/4				7 7/8	9 3/4	19 1/8			
6	13 3/4	24 3/8	35			9 1/8	19 3/4	30 3/8			9 1/8	11	21 5/8	32 1/4		
7	14 7/8	26 5/8	38 3/8	50 1/8	61 7/8	10 1/4	22	33 3/4	45 1/2	57 1/4	10 1/4	12 1/8	23 7/8	35 5/8	47 3/8	59 1/8
8	16 1/2	29 7/8	43 1/4	56 5/8	70	11 7/8	25 1/4	38 5/8	52	65 3/8	11 7/8	13 3/4	27 1/8	40 1/2	53 7/8	67 1/4
9	17 1/4	31 3/8	45 1/2	59 5/8	73 3/4	12 5/8	26 3/4	40 7/8	55	69 1/8	12 5/8	14 1/2	28 5/8	42 3/4	56 7/8	71

Customer \_\_\_\_\_  
 Cust. P. O. #: \_\_\_\_\_  
 Factory #: \_\_\_\_\_  
 Rep P.O. #: \_\_\_\_\_  
 Assembled \_\_\_\_\_ "Centers"  
 Tag #'s: \_\_\_\_\_

**LARGE CHAMBER 120-17**  
**SERIES LC**  
**CLOSE HOOK-UP**

**Questtec SOLUTIONS**

*The New Standard of Level*  
 Glass-Trac      Level-Trac  
 Steam-Trac      Magne-Trac

P.O. Box 2127 • Stafford, Texas 77497-2127  
 (281) 240-0440 • Fax: (281) 240-2440

Scale: \_\_\_\_\_ **Date:** \_\_\_\_\_  
 Drawing #: \_\_\_\_\_  
 Revision #: \_\_\_\_\_  
 Drawn By: **DMC**  
 Ck'd By: \_\_\_\_\_  
 Certified By: \_\_\_\_\_  
 Model #: \_\_\_\_\_