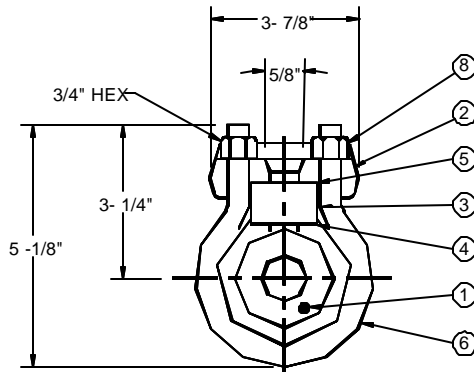
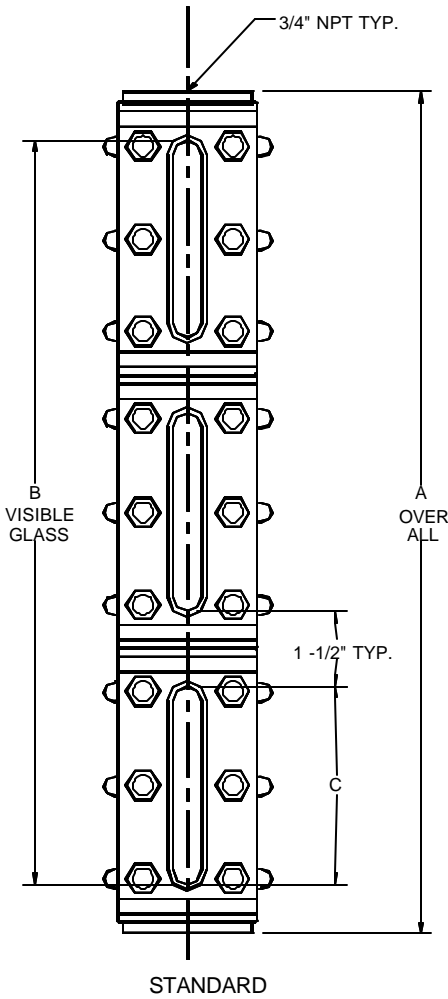
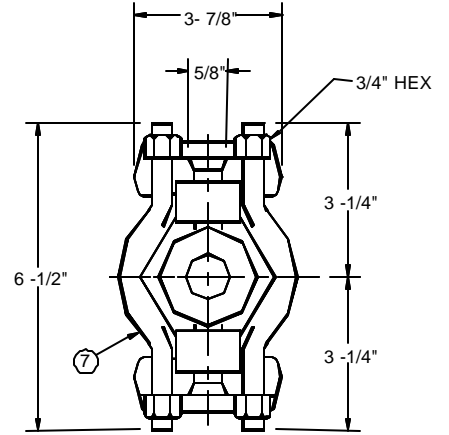


PRESSURES-TEMPERATURE RATINGS (psig)						
REFLEX - LARGE CHAMBER						
Glass Size	100	200	300	400	500	600
1	1020	990	950	910	850	755
2	980	950	915	875	815	725
3	940	910	880	840	780	695
4	900	870	840	805	750	665
5	860	830	800	770	715	635
6	830	805	775	745	690	610
7	790	765	735	710	660	585
8	750	725	700	670	625	555
9	720	695	670	645	600	530

PRESSURES-TEMPERATURE RATINGS (psig)						
TRANSPARENT - LARGE CHAMBER						
Glass Size	100	200	300	400	500	600
1	790	765	740	705	660	585
2	750	725	700	670	625	555
3	720	695	670	645	600	530
4	680	655	635	610	565	500
5	650	630	605	580	540	480
6	610	590	570	545	510	450
7	580	560	540	520	485	430
8	540	520	505	480	450	400
9	500	485	465	445	415	370



REFLEX ( STD. )



TRANSPARENT ( STD. )

ITEM NO.	NAME	CARBON STEEL	STAINLESS STEEL
1	CHAMBER	ASTM A106 GRB	316.SS
2	COVER	CARBON STEEL	CARBON STEEL
3	GLASS	TEMPERED	TEMPERED
9	SHIELD	AS REQUIRED	AS REQUIRED
4	GASKET	NON-ASBESTOS	NON-ASBESTOS
5	CUSHION	NON-ASBESTOS	NON-ASBESTOS
6	U-BOLT	ASTM A193 B7	ASTM A193 B7
7	BOLT	ASTM A193 B7	ASTM A193 B7
8	NUT	ASTM A194 2H	ASTM A194 2H

SIZE NO.	NUMBER OF SECTIONS					NUMBER OF SECTIONS					DIM "C" IN INCHES
	DIMENSION "A" IN INCHES					DIMENSION "B" IN INCHES					
	1	2	3	4	5	1	2	3	4	5	
1	6 1/4					3 3/4					3 3/4
2	7 1/4					4 3/4					4 3/4
3	8 1/4	15 1/2				5 3/4	13				5 3/4
4	9 1/4	17 1/2				6 3/4	15				6 3/4
5	10 3/8	19 3/4				7 7/8	17 1/4				7 7/8
6	11 5/8	22 1/4	32 7/8			9 1/8	19 3/4	30 3/8			9 1/8
7	12 3/4	24 1/2	36 1/4	48	59 3/4	10 1/4	22	33 3/4	45 1/2	57 1/4	10 1/4
8	14 3/8	27 3/4	41 1/8	54 1/2	67 7/8	11 7/8	25 1/4	38 5/8	52	65 3/8	11 7/8
9	15 1/8	29 1/4	43 3/8	57 1/2	71 5/8	12 5/8	26 3/4	40 7/8	55	69 1/8	12 5/8

Customer \_\_\_\_\_  
 Cust. P. O. #: \_\_\_\_\_  
 Factory #: \_\_\_\_\_  
 Rep P.O. #: \_\_\_\_\_  
 Assembled \_\_\_\_\_ "Centers"  
 Tag #'s: \_\_\_\_\_

**LARGE CHAMBER 120-05**  
**SERIES LC**  
**VISCOUS LIQUIDS**  
**STANDARD**



P.O. Box 2127 • Stafford, Texas 77497-2127  
 (281) 240-0440 • Fax: (281) 240-2440

Scale: \_\_\_\_\_ **Date:** \_\_\_\_\_  
 Drawing #: \_\_\_\_\_  
 Revision #: \_\_\_\_\_  
 Drawn By: **DMC**  
 Ck'd By: \_\_\_\_\_  
 Certified By: \_\_\_\_\_  
 Model #: \_\_\_\_\_