

## STBI-3000A ILLUMINATOR

PORTED BI-COLOR, DIRECT READING WATER GAGE ILLUMINATOR AND VIEWING HOOD

The Steam-Trac STBI-3000A Illuminator matches long lasting LED lamps to a rugged fabricated enclosure to set an unsurpassed standard of reliability for bi-color water gage illumination. Each port has 4 each red and green LEDs to provide a brilliant display. To comply with ASME Section I, PG60, a ported gage must provide a means for obvious discrimination between steam and water. This requirement mandates a ported gage must have a working illuminator. By using LED lamps, the frequency maintenance associated with incandescent type lamps is virtually eliminated. When coupled with the Steam-Trac STB-3000A bi-color gage, users will experience a dramatic improvement in performance and extended maintenance cycles. The Steam-Trac bi-color gage and illumination system is field proven and has become the preferred product over competitive designs.

### Illuminator Backlighting

- Brilliant 4-cluster red and green LED lamps
- Low power consumption – reduces energy cost
- LED lifespan > 200 times that of incandescent bulbs – reduces maintenance
- Acrylic conformal coated LED board for environmental corrosion resistance

### Illuminator Power Supply

- Watertight, weatherproof, and corrosion resistant enclosure
- Standard: for non-hazardous locations, NEMA 4X
- Optional: for hazardous locations, Cl. I, Div. 1, Groups B, C, & D, NEMA 4X and 8
- Easy removal – power leads disconnect is external of enclosure and illuminator housing

### Illuminator and Viewing Hood Housing

- Rugged, corrosion resistant, heavy-walled aluminum alloy extrusions
- High thermal conductivity for efficient heat outflow away from LEDs
- Vented aluminum alloy side panels and top caps
- Stainless steel prevailing-torque panel fasteners for thermal cycling loosening resistance

### Reliable and Secure Gage Mounting

- Compact, easy to handle design
- Integral upper and lower guides maintain alignment and rigidity of side panels
- Headed J-hook gage mounting hangers are independent of housing latches and strikes
- Spring-loaded stainless steel latches with stainless steel strikes

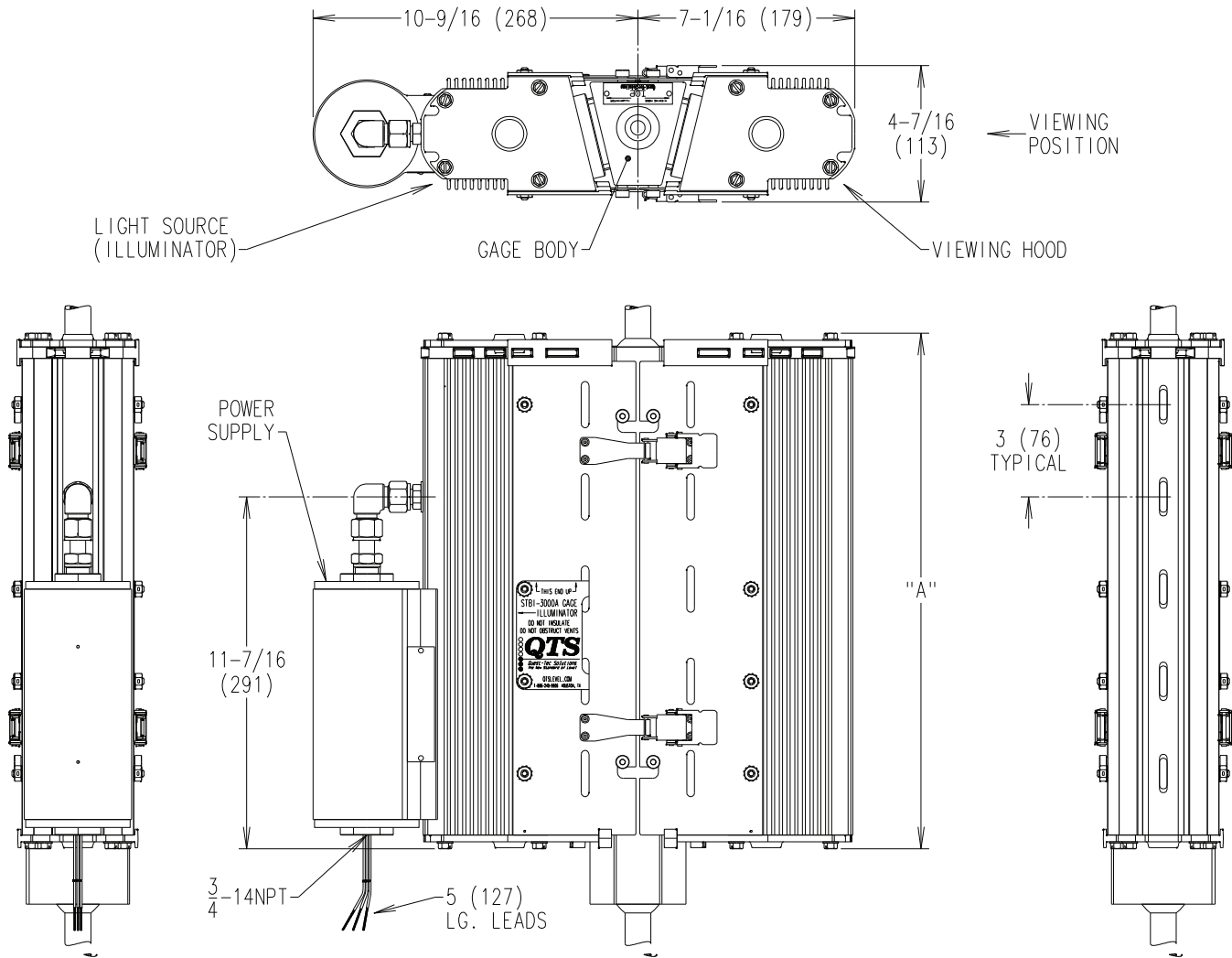


[Right Image] STBI-3000A Illuminator Mounted to 5 Port Gage | [Left Image] STBI-3000A Viewing Hood Mounted to 5 Port Gage

### ELECTRICAL SPECIFICATIONS

|  |                                 |
|--|---------------------------------|
| Power Supply .....                                     | 84-264 VAC                      |
| Power Consumption .....                                | 0.025 Amps/port                 |
| Power Supply Enclosure Classification (Standard) ..... | NEMA 4X                         |
| (Optional) .....                                       | Cl. I, Div. 1, Groups B, C, & D |
| LED Lifespan .....                                     | Greater than 100,000 hours      |

# STBI-3000A ILLUMINATOR



| ILLUMINATOR SIZE |       | DIMENSION A |     | ILLUMINATOR SIZE |       | DIMENSION A |      | ILLUMINATOR SIZE |       | DIMENSION A |      |
|------------------|-------|-------------|-----|------------------|-------|-------------|------|------------------|-------|-------------|------|
| Model No.        | Ports | inches      | mm  | Model No.        | Ports | inches      | mm   | Model No.        | Ports | inches      | mm   |
| STBI-3000A-04    | 4     | 13-3/4      | 349 | STBI-3000A-13    | 13    | 40-3/4      | 1035 | STBI-3000A-22    | 22    | 67-3/4      | 1721 |
| STBI-3000A-05    | 5     | 16-3/4      | 425 | STBI-3000A-14    | 14    | 43-3/4      | 1111 | STBI-3000A-23    | 23    | 70-3/4      | 1797 |
| STBI-3000A-06    | 6     | 19-3/4      | 502 | STBI-3000A-15    | 15    | 46-3/4      | 1187 | STBI-3000A-24    | 24    | 73-3/4      | 1873 |
| STBI-3000A-07    | 7     | 22-3/4      | 578 | STBI-3000A-16    | 16    | 49-3/4      | 1264 | STBI-3000A-25    | 25    | 76-3/4      | 1949 |
| STBI-3000A-08    | 8     | 25-3/4      | 654 | STBI-3000A-17    | 17    | 52-3/4      | 1340 | STBI-3000A-26    | 26    | 79-3/4      | 2026 |
| STBI-3000A-09    | 9     | 28-3/4      | 730 | STBI-3000A-18    | 18    | 55-3/4      | 1416 | STBI-3000A-27    | 27    | 82-3/4      | 2102 |
| STBI-3000A-10    | 10    | 31-3/4      | 806 | STBI-3000A-19    | 19    | 58-3/4      | 1492 | STBI-3000A-28    | 28    | 85-3/4      | 2178 |
| STBI-3000A-11    | 11    | 34-3/4      | 883 | STBI-3000A-20    | 20    | 61-3/4      | 1568 | STBI-3000A-29    | 29    | 88-3/4      | 2254 |
| STBI-3000A-12    | 12    | 37-3/4      | 959 | STBI-3000A-21    | 21    | 64-3/4      | 1645 | STBI-3000A-30    | 30    | 91-3/4      | 2330 |



The New Standard of Level

Glass-Trac      Level-Trac  
 Steam-Trac      Magne-Trac

