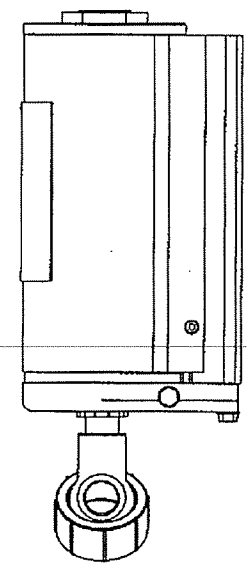




P010-021  
 1-315-01-081 ALUMINUM ELBY  
 1-315-01-082 1/2" NPT CONDUIT CLOSE NIPPLE  
 1-562-06-180 1/2" NPT CONDUIT LOCKING NUT  
 1-306-60-522 TOP CAP  
 1-306-60-521 MOUNTING PLATE  
 PARTS LABELED ARE SUBSTITUTE OR ADDITIONS TO STANDARD BILL OF MATERIAL  
 SIMETRIC THIRD ANGLE PROJECTION  
 STANDARD MANUFACTURING LIMITS UNLESS OTHERWISE SPECIFIED  
 FRACTIONAL ±1/64  
 XXX ±.015  
 XXXX ±.005  
 ANGULAR ±0° 30'  
 FINISH .200 RA MAX  
 BREAK ALL SHARP CORNERS TO .005 RADIUS AND REMOVE ALL BURRS  
 THIS DRAWING IN DESIGN AND DETAILS IS OUR AND MUST NOT BE USED EXCEPT IN CONNECTION WITH OUR WORK. IT SHALL NOT BE REPRODUCED AND SHALL BE RETURNED TO US ON DEMAND. ALL RIGHTS ARE RESERVED.  
**Quest-Tec Solutions**  
 The New Standard Of Level  
 10000 W. 17th St.  
 Houston, TX 77058  
 (281) 246-2146  
 FAX (281) 246-2146  
 E-MAIL: SALES@QUESTTECHSOLUTIONS.COM  
 DATE 4/25/2008  
 JRP  
 DATE 5-1-08  
 JLR  
 DATE 5-1-08  
 JLR  
 SCALE N/A  
 WATERMAN  
 N/A  
 DRAWING NO. P010-021  
 PART NO. N/A  
 REV. 0  
 SLI WITH REMOTE POWER SUPPLY  
 POWER SUPPLY ASSEMBLY DETAILS  
 REV DATE DESCRIPTION DRN APVD  
 SHEET 1 OF 1

P010-021

**PARTS LABELED ARE SUBSTITUTE  
OR ADDITIONS TO STANDARD  
BILL OF MATERIAL**



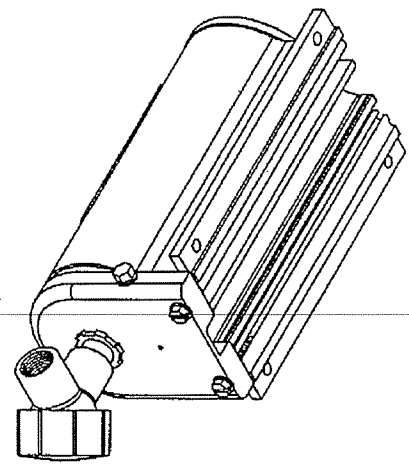
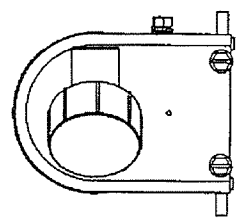
1-315-01-081  
ALUMINUM ELBY

1-315-01-082  
1/2" NPT CONDUIT  
CLOSE NIPPLE

1-562-06-180  
1/2" NPT CONDUIT  
LOCKING NUT

1-306-60-522  
TOP CAP

1-306-60-521  
MOUNTING PLATE



REV	DATE	DESCRIPTION	DRN	APVD

SIMETRIC  
 THIRD ANGLE PROJECTION  
  
 STANDARD MANUFACTURING LIMITS  
 UNLESS OTHERWISE SPECIFIED  
 FRACTIONAL ±1/64  
 XXX ±.015  
 XXXX ±.005  
 ANGULAR ±0° 30'  
 FINISH .200 RA MAX  
 BREAK ALL SHARP CORNERS  
 TO .005 RADIUS  
 AND REMOVE ALL BURRS

THIS DRAWING IN DESIGN AND DETAILS IS OUR AND MUST NOT BE USED EXCEPT IN CONNECTION WITH OUR WORK.  
 IT SHALL NOT BE REPRODUCED AND SHALL BE RETURNED TO US ON DEMAND. ALL RIGHTS ARE RESERVED.  
**Quest-Tec Solutions**  
 The New Standard Of Level  
 10000 W. 17th St.  
 Houston, TX 77058  
 (281) 246-2146  
 FAX (281) 246-2146  
 E-MAIL: SALES@QUESTTECHSOLUTIONS.COM

**SLI WITH REMOTE POWER SUPPLY  
POWER SUPPLY ASSEMBLY DETAILS**

DATE	4/25/2008	DRAWING NO.	P010-021
DATE	5-1-08	PART NO.	N/A
DATE	5-1-08	SCALE	N/A

REV. 0  
 WATERMAN  
 N/A  
 SHEET 1 OF 1