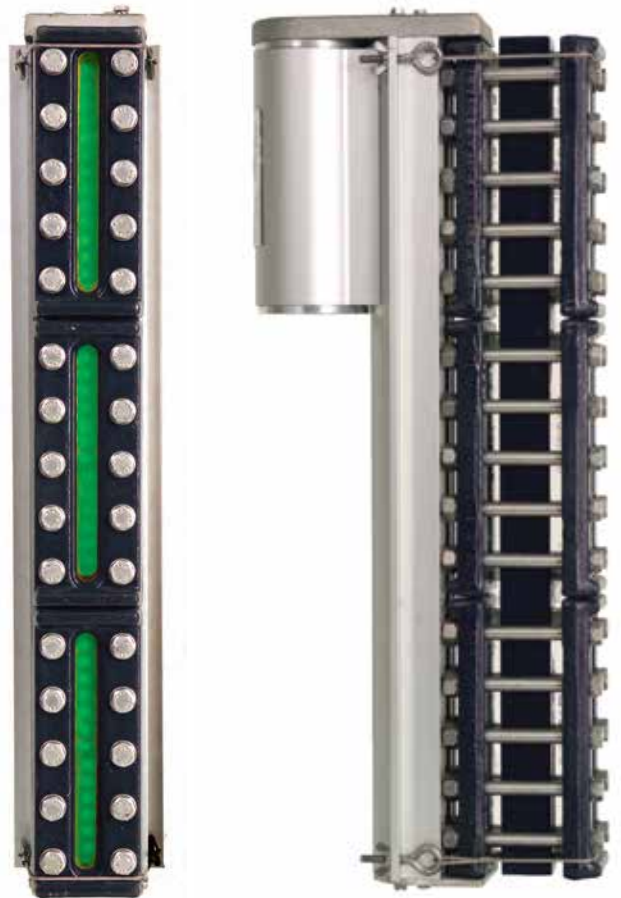


SEE-LEVEL

Illuminator for Transparent Level Gages For Class 1, Division 1, Group B, C, & D Hazardous Locations

See the with the SEE-LEVEL Illuminator

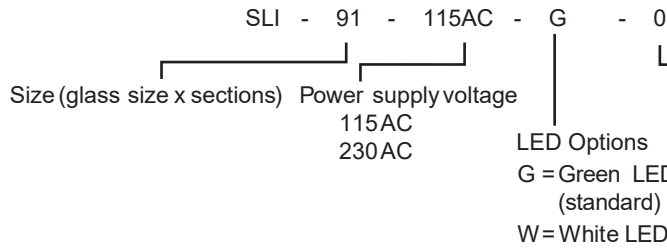
- Brilliant Green LED Backlighting
 - Green distinguishes liquid from surroundings
 - Up to 4 size 9 gage sections
- Innovative Mounting Solution
 - No-bolt cover removal
 - No flimsy, complicated brackets
 - Installs in minutes on any brand gage
 - Fits either side of transparent gages
- Saves Money
 - Electricity savings over incandescent bulbs
 - Eliminates time consuming bulb changes
 - Lasts 200 times longer than incandescent bulbs
 - Increases Productivity
- Operates in Any Environment
 - NEMA 4X & 8 power supply enclosure
 - Watertight, weatherproof and corrosion resistant
 - Conformal coated LED-lighting
- Durable
 - Positive mounting, no springs or clamps
 - Survives impact
 - Crush tested
 - No exposed wiring
 - Rugged by design



Technical Specifications			
Power Supply	115/230 VAC @ 50/60 HZ	LED Estimated Life	100,000 hours
Power Consumption	<150 mA @ 115 VAC	Certification	UL1203, UL913, CSA 22.2
Supply Connection	3/4 NPT		CL I, DIV 1, Groups B, C, & D
Ambient Temperature	-40°F (-40°C) to 150°F (65°C)		NEMA 4X & 8

SEE-LEVEL

Specify model number:

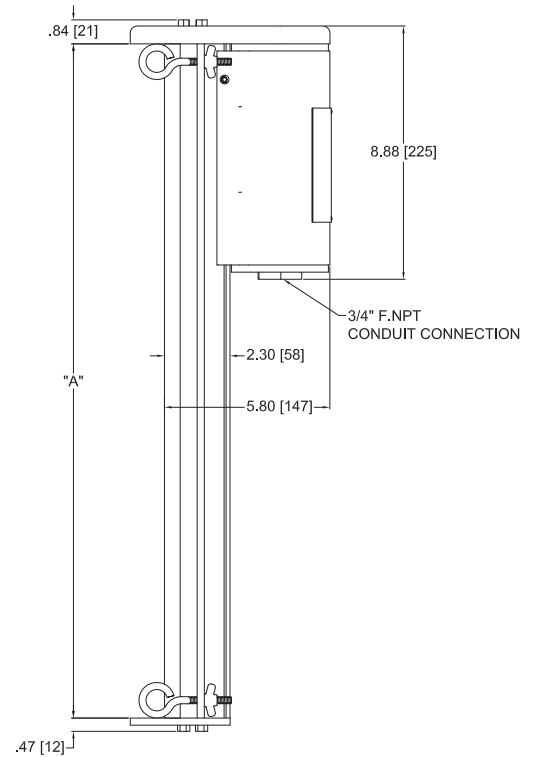
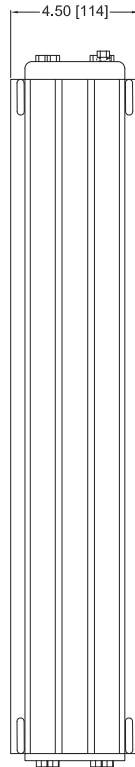


Options

- 0 = Power supply integrally mounted (standard)
- R = Remote mounted power supply (Indicate connecting cable length)
- C = Clear Glass LED Cover
- HT = High Temp, Glass & Insulation (Process Temp over 300°F)
- M = Mid Mounted Power Supply
- B = Bottom Mounted Power Supply

Tip: Select mid mounted power supply for back connected gages and clearance issues

MODEL NUMBER	OVERALL LENGTH "A"	
	INCHES	MILLIMETERS
SLI-51	9.5	241
SLI-61	10.75	273
SLI-71	11.875	302
SLI-81	13.5	343
SLI-91	14.25	362
SLI-32	14.625	371
SLI-42	16.625	422
SLI-52	18.875	479
SLI-62	21.375	543
SLI-72	23.625	600
SLI-82	26.875	683
SLI-92	28.375	721
SLI-63	32	813
SLI-73	35.375	899
SLI-83	40.25	1022
SLI-93	42.5	1080
SLI-74	47.125	1197
SLI-84	53.625	1362
SLI-94	56.625	1438



"inches(mm)"

Quest-Tec Solutions purchased the Daniel Level Gage and Valve product line from Emerson Process in 2001



13960 South Wayside · Houston, Texas 77048
 866.240.9906 · www.qtslevel.com · sales@QTSlevel.com