

QUEST-TEC SOLUTIONS MAGNE-TRAC SPECIFICATION GUIDE

General Information

Company: _____	Phone No.: _____	Date: _____
Contact Name: _____	RFQ No.: _____	
Email: _____	Tag: _____	

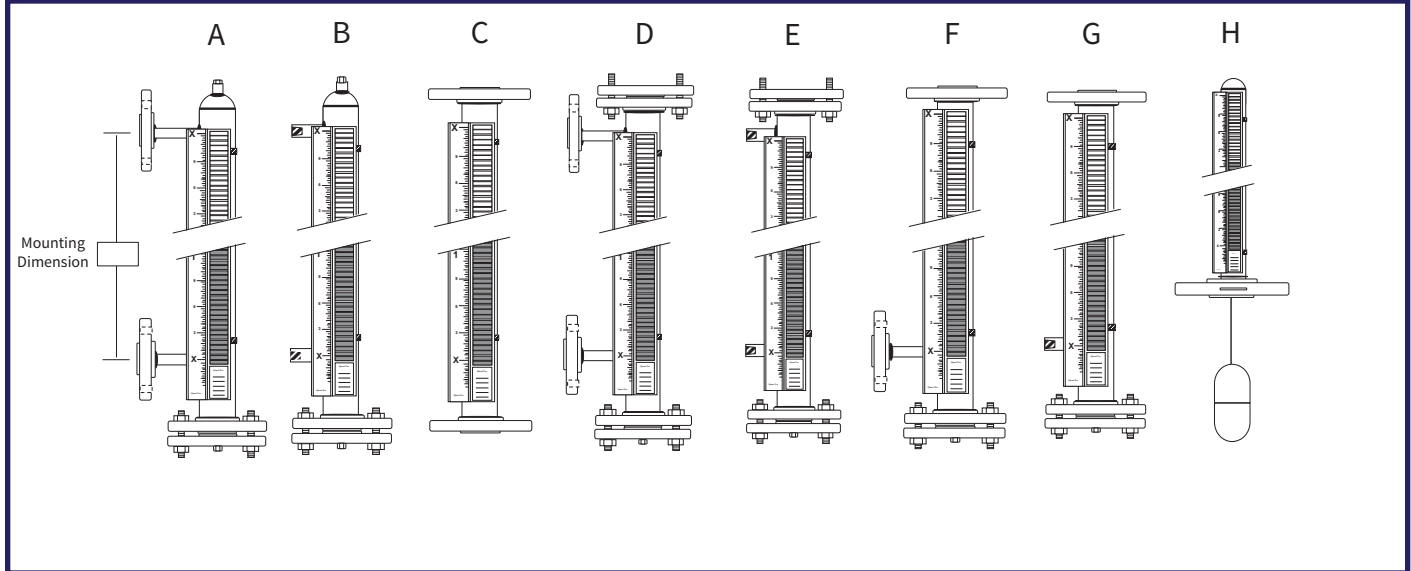
Process Conditions

Pressure: Min. _____ Oper.: _____ Max.: _____	Units of measurement: _____
Temperature: Min. _____ Oper.: _____ Max.: _____	Units of measurement: _____
Description of media: _____	
Specific Gravity (SG): Min. _____ Oper.: _____	
Is this an interface measurement? Yes No	
If yes, Lower fluid: Min SG / Max SG: _____/_____ Upper fluid: Min SG / Max SG: _____/_____	
Does media flash or outgas in chamber? Yes No	

Customer Specific Design Criteria

Are there any existing specifications, including minimum pipe schedule, general piping specifications, or an approved manufacturer list (AML/AVL) to which this magnetic level indicator must comply? <div style="text-align: center; margin-top: 10px;"> Yes (Please Provide) No </div>
--

Mounting Style



Material of Construction

Process Connection Type

316/316L SS 316/316L SS Chamber with Carbon Steel Flanges Other Non-Magnetic Material _____	<table style="width: 100%; border-collapse: collapse;"> <tr> <td style="width: 33%;">RFSO</td> <td style="width: 33%;">RFLJ</td> <td style="width: 33%;">FNPT</td> </tr> <tr> <td>RFWN</td> <td>RTJWN</td> <td>Plain End Pipe Nipple</td> </tr> <tr> <td>RFSW</td> <td>MNPT</td> <td>Other _____</td> </tr> </table>	RFSO	RFLJ	FNPT	RFWN	RTJWN	Plain End Pipe Nipple	RFSW	MNPT	Other _____
RFSO	RFLJ	FNPT								
RFWN	RTJWN	Plain End Pipe Nipple								
RFSW	MNPT	Other _____								

Flange Rating

Process Connection Size

150#	300#	600#	1/2"	3/4"	1"
900#	1500#	Other _____	1.5"	2"	Other _____

