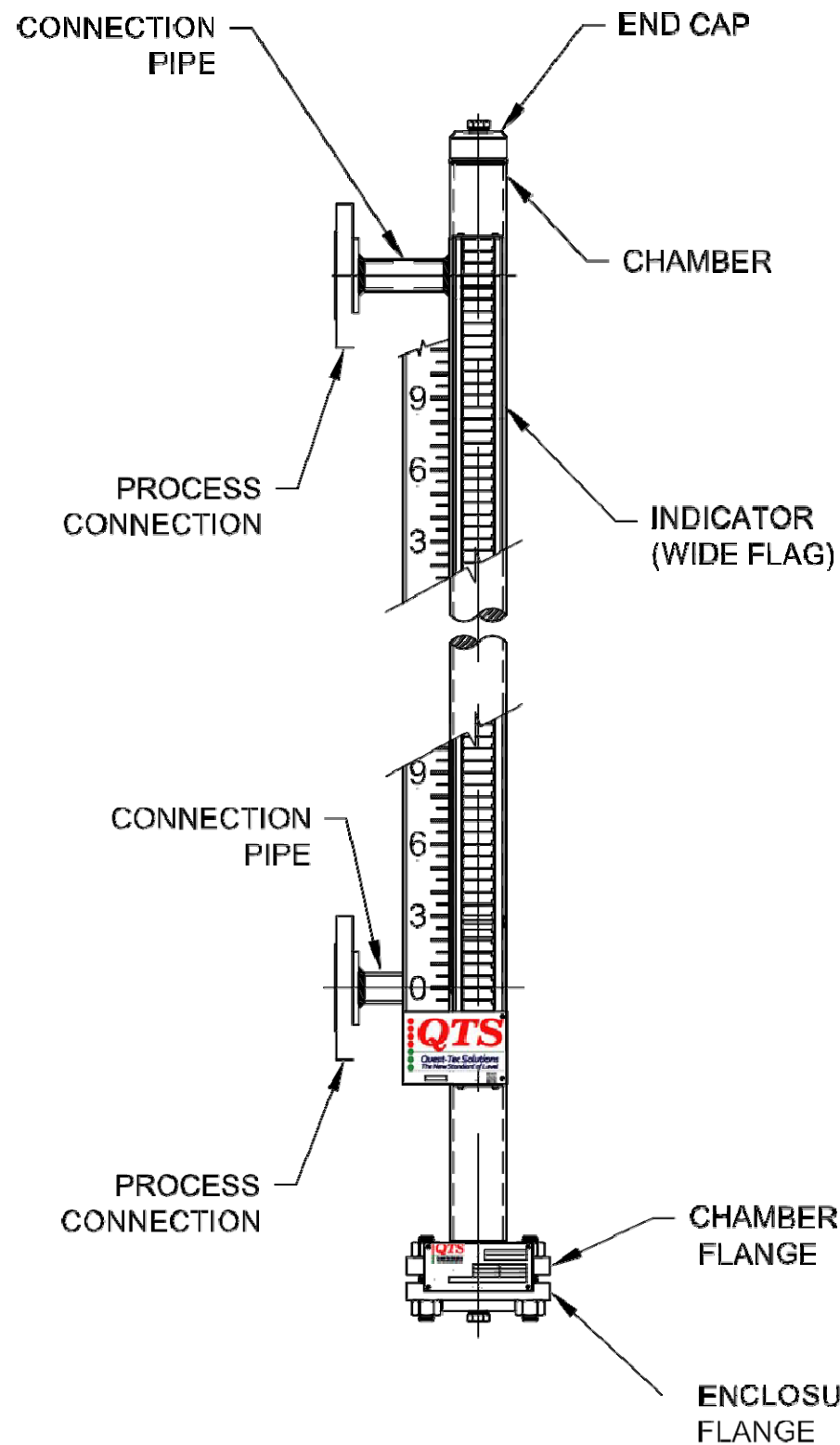


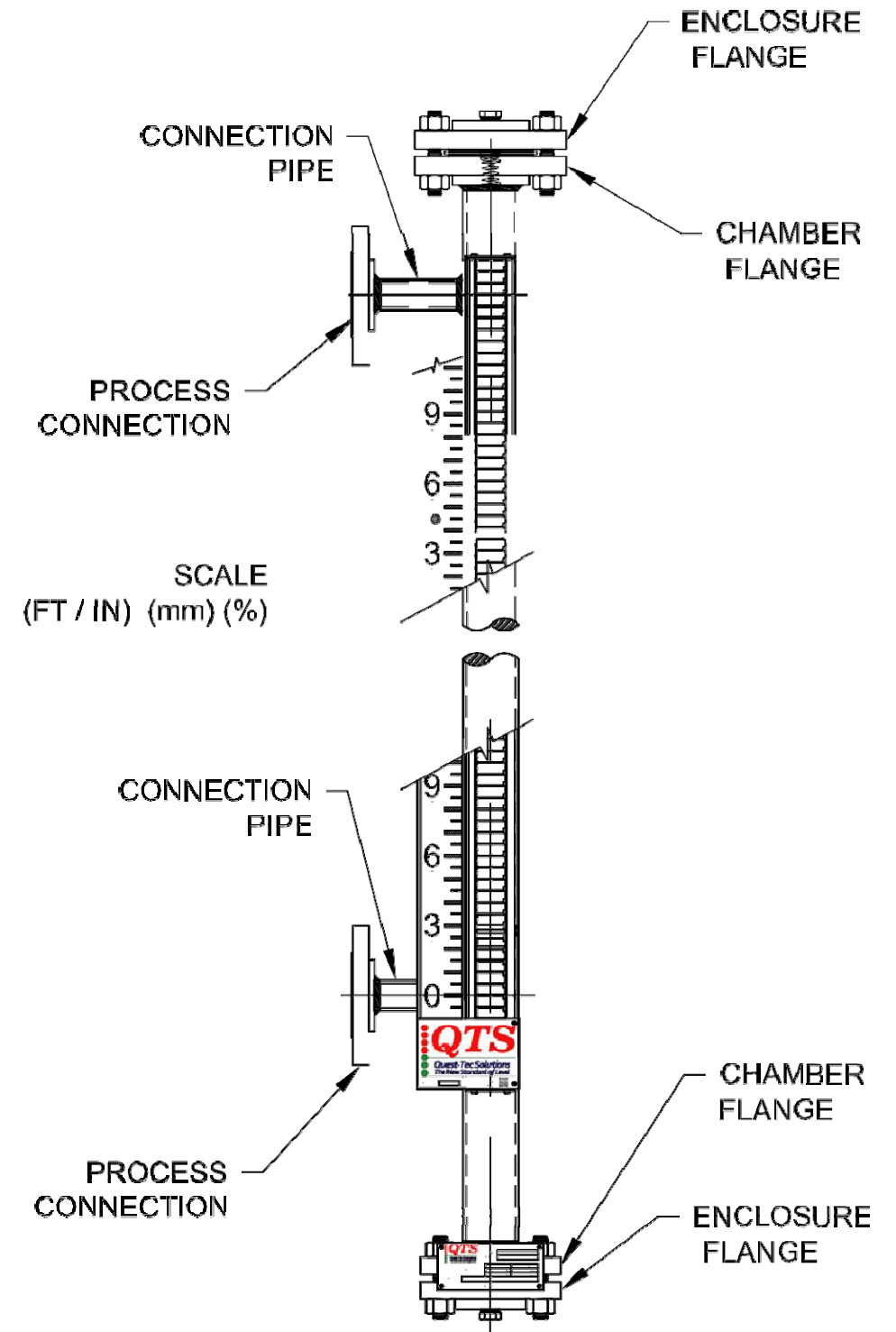
ANATOMY OF A MAG GAGE



TYPICAL TYPES OF FLANGE

- RFSO = RAISED FACE SLIP-ON
- RFSW = RAISED FACE SOCKET
- RFWN = RAISED FACE WELD NECK
- RTJSW = RING JOINT SOCKET WELD
- RTJWN = RING JOINT WELD NECK

- NPT = THREADED CONNECTION
- IPS = PLAIN PIPE STUB



The New Standard of Level
Glass-Trac Level-Trac
Steam-Trac Magne-Trac

WORK ORDER #							
SI METRIC							
THIRD ANGLE PROJECTION							
REV	DATE	DESCRIPTION	DRN	APPD			

THIS DRAWING IN DESIGN AND DETAIL IS OUR PROPERTY AND MUST NOT BE USED EXCEPT IN CONNECTION WITH OUR WORK. IT SHALL NOT BE REPRODUCED AND SHALL BE RETURNED TO US ON DEMAND. ALL RIGHTS ARE RESERVED.							
STANDARD MANUFACTURING LIMITS UNLESS OTHERWISE SPECIFIED							
X.XX	±.015						
X.XXX	±.005						
ANGULAR	±0° 30'						
FINISH	200 RA MAX						
FRACTIONAL	± 1/64						
BREAK ALL SHARP CORNERS TO .003-.015 RADIUS AND REMOVE ALL BURRS							
<small>12000 SQU/FT 100% SDC DR1 HOUSTON, TEXAS 77040 281.245.0448 FAX:281.245.2440 E-MAIL: SALES@QTS.FUEL.COM</small>							
TITLE: ANATOMY OF A MAG GAGE ASSEMBLY							
DRN	REL	DATE	4/9/14	DWG NO.			
CHKD		DATE		B			
APPD		DATE		SCALE	NTS	SHT	1 OF 1

UNLESS OTHERWISE NOTED ALL DIMENSIONS IN INCHES