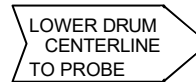


BILL OF MATERIALS		
ITEM	PART	MATERIAL
1	Chamber	Carbon Steel
2	Top Cap	Carbon Steel
3	Probe	Stainless Steel
4	Probe Cover	Stainless Steel

LEVEL-TRAC MODEL

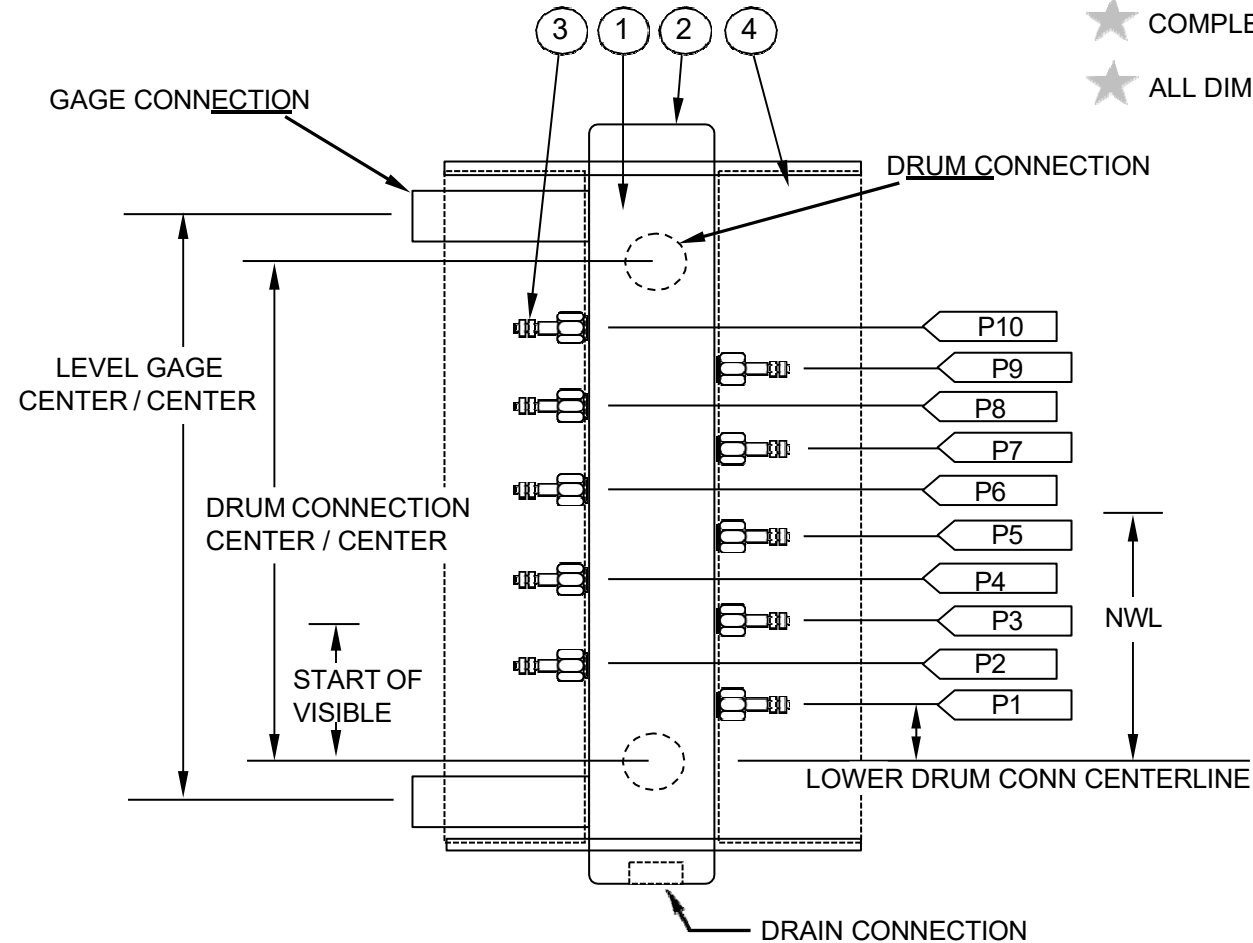
- LT-500 RATING: 1,000 PSI
- LT-501 RATING: 2,000 PSI
- LT-502 RATING: 3,000 PSI



PROBE LOCATION

P1
P2
P3
P4
P5
P6
P7
P8
P9
P10

- ★ COMPLETE ALL SHADED AREAS
- ★ ALL DIMENSIONS IN INCHES



DIMENSION & CONNECTION TYPE

DRUM CONN:

DRUM C/C:

LEVEL GAGE CONN:

LEVEL GAGE C/C:

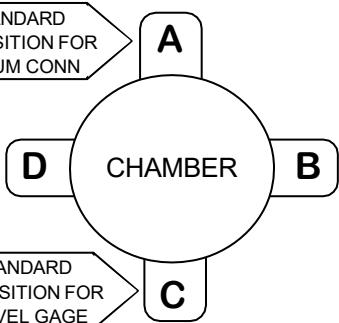
DRAIN CONN:

START OF VISIBLE:

NWL:

QUEST-TEC SOLUTIONS

STANDARD POSITION FOR DRUM CONN



STANDARD POSITION FOR LEVEL GAGE

VIEW

PLAN VIEW ORIENTATION

A	<input type="checkbox"/> LEVEL GAGE	<input type="checkbox"/> DRUM CONN
B	<input type="checkbox"/> LEVEL GAGE	<input type="checkbox"/> DRUM CONN
C	<input type="checkbox"/> LEVEL GAGE	<input type="checkbox"/> DRUM CONN
D	<input type="checkbox"/> LEVEL GAGE	<input type="checkbox"/> DRUM CONN

LEVEL-TRAC CRITICAL DIMENSIONS SHEET

LT-500, LT-501, LT-502 WATER COLUMNS

CUSTOMER	
CUSTOMER REF.	
PROJECT	
PURCHASE ORDER	
QTS ORDER	
QTS JOB	

QTSLEVEL.COM

Drawn By: JAB R.000 Date 7/23/2010

Questtec
SOLUTIONS

The New Standard of Level
Glass-Trac Level-Trac
Steam-Trac Magne-Trac