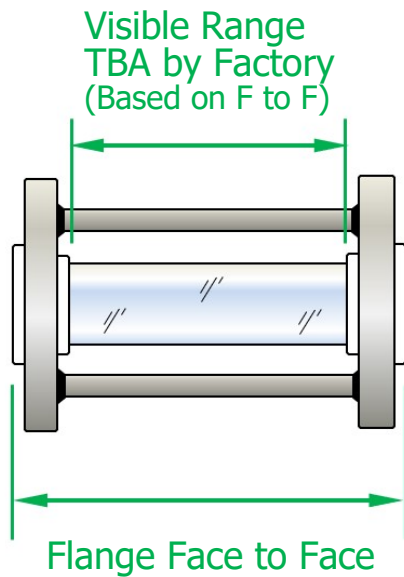
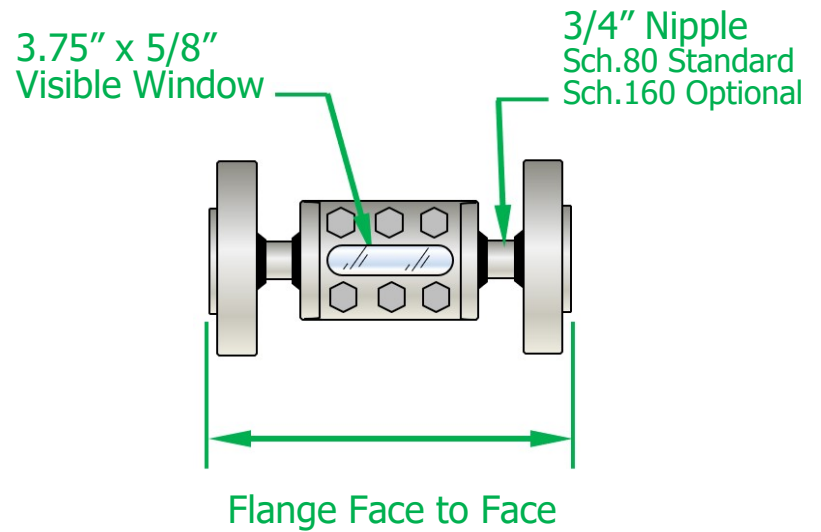


Sight Flow Indicators

Full View Tubular Borosilicate



Armored Tempered Borosilicate



Process Conditions

Design Pressure:

Design Temperature:

Operating Pressure:

Operating Temperature:

Construction

Material:

Flange Face to Face:

Flange Size/Class/Face:

Additional Details Required For Tubular

Glass Tube OD:

Glass Tube ID:

Glass Wall Thickness: