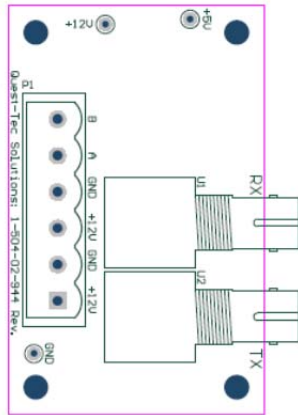


Fiber Optic Signal Transmission

Fiber Optic Signal Transmission to the Remote Display may be accomplished on units equipped with serial signal transmission. This is standard for LT-210 units and optional for LT-220 Units. Where this is required, Quest-Tec Solutions offers a Fiber Optic Interface PCB that functions as both transmitter and receiver.



The Fiber Optic Interface PCB used to transmit, is wired to the six terminals that would normally carry the signal and the power to the Remote Display. Power for the transmit PCB is supplied by the Control Unit. It may be located inside the Control Unit enclosure, or inside a local junction box.

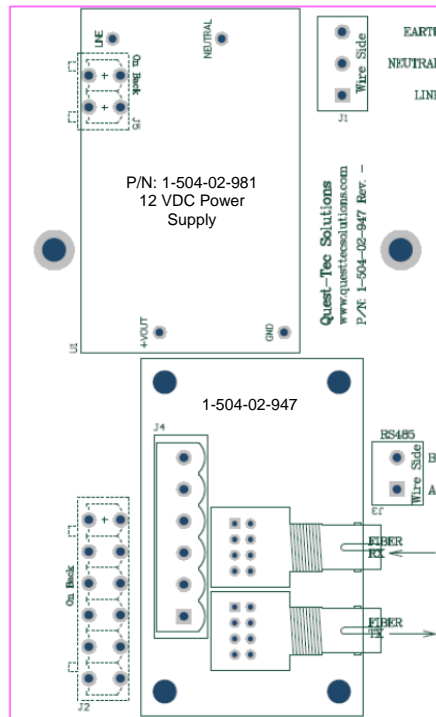
The fiber optic cable connectors are ST style, and the cable must be multimode 62.5/125. Only one cable is needed per system, as there is no return signal. The maximum fiber optic cable length is rated 6500 Feet.

ST Transmitting Connection

Fiber Optic Interface PCB
P/N 1-504-02-944

The Fiber Optic Interface PCB used to receive the signal will be mounted on a platform PCB that is mounted to the back of the remote display. A power source of 100-240 VAC, 50/60 Hz, a maximum of 6 Watts is required to illuminate the LEDs.

See Wiring Diagram LT-210F-LTI-210F.
See:



100-240 VAC
Power Supply Tie-in

ST Receiving Connection

Platform PCB, Power Supply and Fiber Optic Interface PCB
P/Ns 1-504-02-947, 1-504-02-981, & 1-504-02-944