

MAGNETIC LEVEL INDICATOR

DISCO-TRAC

*Direct Insertion Single Chamber Oversize =
The best approach for indicating level!*

The Disco Trac combines the operating system of a conventional float-based magnetic level indicator (MLI) with a (GWR) guided wave radar transmitter. This means you can enjoy reliable and accurate level measurement in a simple and elegant design. Using a 3", 4"+ chamber to house both the GWR probe and the MLI float, these devices operate seamlessly to provide electronic guided wave radar measurement and visual indication. Disco-Trac provides two independent level technologies off a single set of process taps for true redundant measurement. A single chamber is achieved by adding a slotted baffle plate inside the chamber to separate float and GWR Probe. The Guided Wave Radar transmitter obtains the independent reading of the liquid level, providing an accurate output even in the case of float failure. The GWR will read the true level of fluid even if density of product varies.

FEATURES

Questtec has partnered with leading GWR companies to provide customers selection flexibility based on specific application needs. GWR is preferred in the industry for its easy setup, reliable operation, measurement accuracy, and resistance to changing process conditions.

SPECIFICATIONS

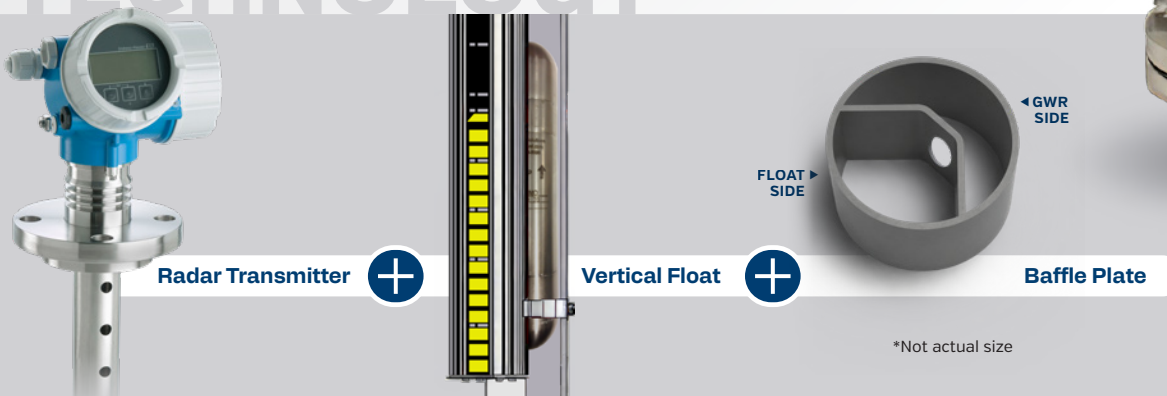
- Measuring Range**
Standard Single Section
12 to 216 inches
- Multi Section (Custom)**
>216 inches
- Temperature Range**
-320°F to 800°F P
- Pressure Range**
Full Vacuum to 4500 PSIG
- Minimum Specific Gravity**
As Low As 0.33
- Chamber Design**
Single Chamber, 1 Set of
Process Connection

APPLICATIONS

- > Hot Wells
- > Industrial Boilers
- > Oil-Water Separators
- > Propane Vessels
- > Storage Tanks
- > Alkylolation Tanks
- > Blowdown Tanks
- > Boiler Drums
- > Condensate Tanks
- > Deaerators
- > Feedwater Heaters
- > Flash Drums
- > Gas Chillers



TECHNOLOGY



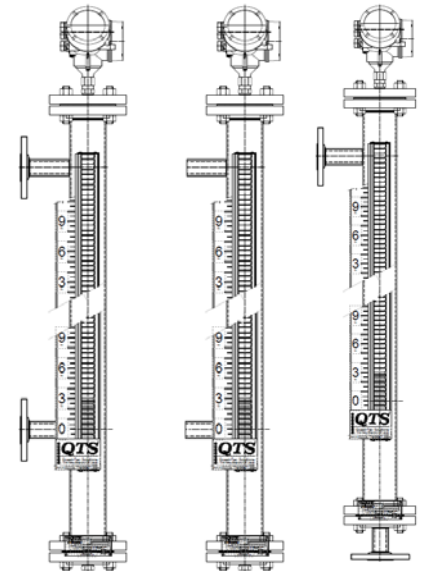
*Not actual size



MAGNETIC LEVEL INDICATOR

DISCO-TRAC (DT)

The Questtec Solutions Disco-Trac combines the Magne-Trac magnetic level gage and the Bridle-Trac bypass chamber into one chamber. It is used with our VAR Partner E&H GWR or customer specified radar for redundant level measurement. See page 21 for listing of our partners GWR models. The Disco-Trac is recommended in applications that require both visual and electronic level viewing.



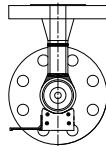
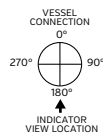
DT ORIENTATION

(ONLY 1 ACCESSORY ALLOWED PER POSITION)

INDICATOR
 ○ 90°
 ○ 180°
 ○ 270°

AT TRANSMITTER
 ○ 45° to Indicator

SWITCHES
 ○ 45° to Indicator



Note: Overall length will always be greater than measuring length (ML). Please specify if a max overall length is required.



DISCO-TRAC™

MLI MATERIAL
 4S = 304 SS
 4C = 304 SS/C
 6S = 316 SS
 6C = 316 SS/C
 MN = Monel
 TI = Titanium
 HC = Hastelloy C
 Z = Customer Spec

MLI STYLE
 A = See Chart [Std]
 B = See Chart
 C = See Chart

VESSEL CONNECTION
 04 = 1/2"
 06 = 3/4"
 08 = 1" [STD.]
 10 = 1 1/4"
 12 = 1 1/2"
 16 = 2"
 20 = 2 1/2"
 24 = 3"
 32 = 4"
 Z = Customer Spec

CHAMBER SIZE*
 24 = 3"
 32 = 4"
 40 = 5"
 Z = Customer Spec
 [All Styles Use a Flange for End Closure]

*Schedule selected by pressure/temperature or customer specification

SPECIFIC GRAVITY
 Minimum operating specific gravity

FLANGE CLASS
 01 = 150#
 03 = 300#
 04 = 400#
 06 = 600#
 09 = 900#
 15 = 1500#
 25 = 2500#
 Z = Customer Spec
 [All Styles Use a Flange for End Closure]

MAXIMUM PRESSURE

MAXIMUM TEMPERATURE

"C-C" DIMENSION¹

These parameters must be based on Maximum Operating Conditions and are the basis for Float construction.

INDICATOR STYLE
 WF = Wide Flag
 ST = Follower
 HF = High Temp Flag
 XX = None

VENT/DRAIN
 AA = 1/2" Top Vent & 1/2" Drain [NPT]
 BB = 3/4" Top Vent & 3/4" Drain [NPT]
 CC = 1" Top Vent & 1" Drain [NPT]
 AB = 1/2" Top Vent & 3/4" Drain [NPT]
 AC = 1/2" Top Vent & 1" Drain [NPT]
 BA = 3/4" Top Vent & 1/2" Drain [NPT]
 BC = 3/4" Top Vent & 1" Drain [NPT]
 CA = 1" Top Vent & 1/2" Drain [NPT]
 CB = 1" Top Vent & 3/4" Drain [NPT]
 XA = 1/2" Vent or Drain
 XB = 3/4" Vent or Drain
 XC = 1" Vent or Drain
 XX = None
 CS = Customer Specified

OPTIONS

CHAMBER	SCALE/INDICATOR	TEMP CONTROL	TESTING/MATERIAL
SC = Special Coating	MS = Metric Scale	CI = Cryogenic Insulation w/ Frost Extension	AS = ASME "S" Stamp
SO = Slip on Flanges	PS = Percentage Scale	HB = High Temp Insulation Blanket	AU = ASME "U" Stamp
IV = Inverted Chamber	NS = Negative Scale	EH = Electrical Heat Tracing	B1 = ASME B31.1
WN = Weld Neck Flanges	SH = SS Indicator Housing	FP = Freeze Protection [Electrical]	B3 = ASME B31.3
SL = Stub End/Lap Joint Flanges	SS = Custom Scale [specify]	ST = Steam Tracing	CRN = ABSA Certifications
RJ = Ring Joint Flanges	DI = Dual Indication	VD = Vent & Drain Valves [Specify Type]	NM = NACE MR0175 Cert. 316 SS Bolting Access Flange
BW = All Butt Weld Construction	IF = Interface Indication	IS = Isolation Valves [Specify Type]	
F1 = Guide Rod, Flashing	AR = Arrow Pointers		
F2 = Perforated Tube, Flashing			
X1 = Customer Specified			
BF = Breakout Flange			
BS = Bracket Support			
PT = Particle Trap			

Note: Spiral wound gasket is standard on access flange.

¹ For Style H provide insertion length and desired visible [i.e. 100/84 = 100" insertion length 84" visible]